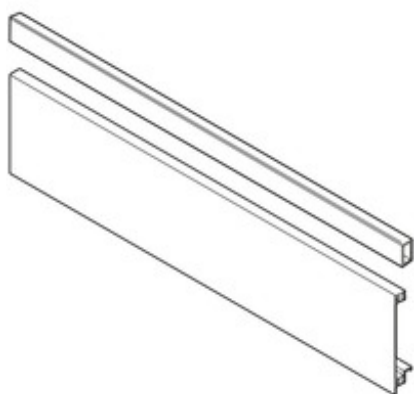


Product details

LEGRABOX front section, for inner drawer and inner pull-out with cross gallery, CW=1200 mm, for cutting to size



Part number	ZV7.1043C01
Item number	08937075
Colour / finish	anodised stainless steel 2
Packaging quantity	12
Weight per 1,000 Pcs in kg	763.41
EAN code	9009494049534
UPC code	

Technical attributes

Attribute	Value
type of front section	Front piece
Height	98.35
Material	Aluminium
Colour / finish	Anodised stainless steel colour 2
Length	1043.2
Cabinet width	1200
Design	plain
Connection Front section with internal drawer front fixing	screw-on
Item package	1 piece
packaging	Commercial packing