

Box systems

blum

- ▶ **METABOX**
- ▶▶ **Single extension**



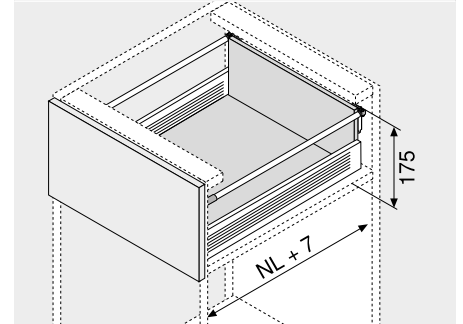
High fronted pull-out – gallery – B

Webcode
DQCPYM



- With simple gallery
- Single extension with 86 mm high
- Drawer sides made from steel
- High impact nylon rollers
- Dyn. load bearing 25 kg
- BLUMATIC self closing feature
- 3-dimensional front adjustment

Space requirement



NL Nominal length

Order information

1	Cabinet profiles and drawer sides left/right		
	Colour	R9001	
Nominal length	Version		
NL (mm)	Screw-on version	Quick assembly version	
350	320M3500C	320M3500C15	
400	320M4000C	320M4000C15	
450	320M4500C	320M4500C15	
500	320M5000C	320M5000C15	
550	320M5500C	320M5500C15	

Other colours available upon request (white or grey)

2a	CLIP front fixing brackets	
	Fixing	Part no.
	Screw-on	ZSF.1200
	Knock-in	ZSF.1300
	EXPANDO	ZSF.130E

Order left/right

2b	Cover caps for 2a		
	Colour	Material	Part no.
	R9001	Nylon	ZAA.3700

Order left/right

Alternative to 2a	
2c	Standard front fixing brackets left
	Fixing
	Screw-on
	Knock-in
	Part no.
	ZSF.1700
	ZSF.1800

Order left/right

2d	Cover caps for 2c		
	Colour	Material	Part no.
	R9001	Nylon	2 x ZAA.3500

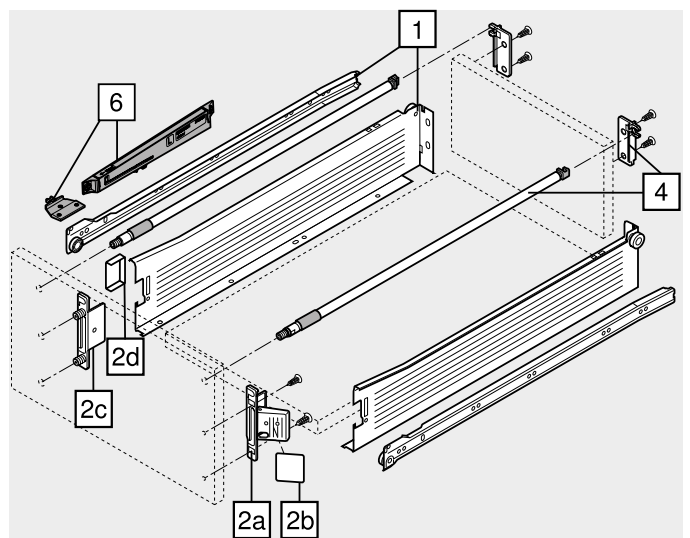
4	Longside gallery rails with back fixing left/right		
	Nominal length		
NL (mm)	Colour	R9001	
350	ZRE.321S.ID		
400	ZRE.371S.ID		
450	ZRE.421S.ID		
500	ZRE.471S.ID		
550	ZRE.521S.ID		

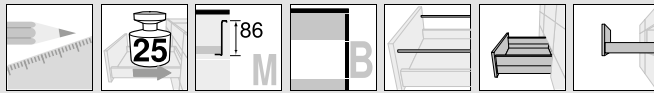
Colour	Colour
R9001 RAL 9001 cream	WGR White grey

a Accessories

6	BLUMOTION for METABOX 320		
	Colour	Material	Part no.
	WGR/R9001	Nylon	Z70.0320

Other colours available for latch upon request (white or grey)





High fronted pull-out – gallery – B

Webcode
DQCPYM

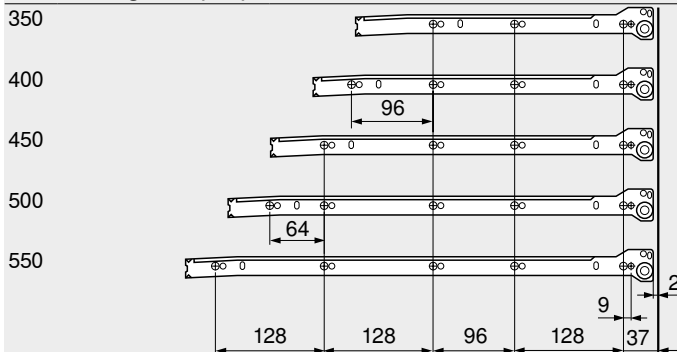
Planning

Space requirement in cabinet	Installation dimensions – front – screw-on	Drilling distances – front – EXPANDO/knock-in	Installation dimensions – back

* +2 mm with BLUMOTION FA Front overlay

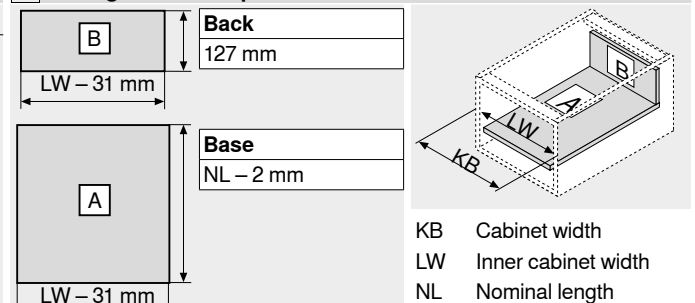
Screw position – cabinet profiles

Nominal length NL (mm)



High fronted pull-out
Internal cabinet depth LT min. = nominal length NL + 7 mm

Cutting – 16 mm chipboard



Base assembly for quick assembly version



Page instructions

Overview – METABOX	397	More technical details	774
Accessories	412		
BLUMOTION for METABOX 320	415		
Accessories – ORGA-LINE – gallery	418		
Cabinet profile fixing positions	420		
Assembly, removal and adjustment	421		
Overview – assembly devices	683		