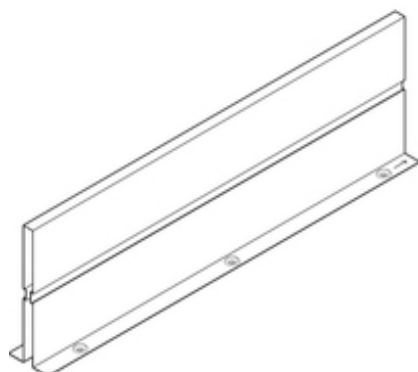


## Product details

ORGA-LINE dividing wall, NL=550 mm, for TANDEMBOX intivo/antaro high fronted pull-out



Part number	Z46L520S
Item number	07934834
Colour / finish	Terra black
Packaging quantity	8
Weight per 1,000 Pcs in kg	1,204.21
EAN code	9002617709599
UPC code	

### Technical attributes

Attribute	Value
Type	Dividing wall
system length of runner	550
Height	151
Nominal Length	520
thickness	12.6
Actual height	150.9
Length	520
Fixing method	Screw-on
Material	Steel
material thickness	0.75
Design	Smooth with location groove
Colour / finish	Terra black
Item package	1 piece
packaging	industrial packing