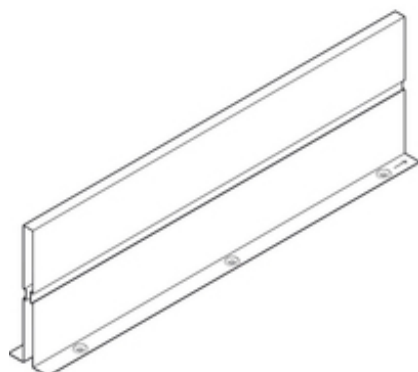


Product details

ORGA-LINE dividing wall, NL=550 mm, for TANDEMBOX intivo/antaro high fronted pull-out



Part number	Z46L520S
Item number	07934830
Colour / finish	Silk white
Packaging quantity	8
Weight per 1,000 Pcs in kg	1,204.21
EAN code	9002617708424
UPC code	

Technical attributes

Attribute	Value
Type	Dividing wall
system length of runner	550
Height	151
Nominal Length	520
thickness	12.6
Actual height	150.9
Length	520
Fixing method	Screw-on
Material	Steel
material thickness	0.75
Design	Smooth with location groove
Colour / finish	Silk white
Item package	1 piece
packaging	industrial packing