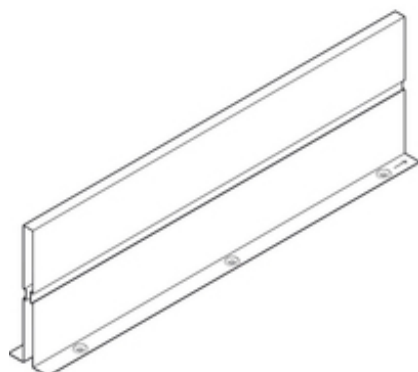


Product details

ORGA-LINE dividing wall, NL=500 mm, for TANDEMBOX intivo/antaro high fronted pull-out



| | |
|----------------------------|---------------|
| Part number | Z46L470S |
| Item number | 07934764 |
| Colour / finish | Terra black |
| Packaging quantity | 8 |
| Weight per 1,000 Pcs in kg | 1,033.43 |
| EAN code | 9002617709582 |
| UPC code | |

Technical attributes

| Attribute | Value |
|-------------------------|-----------------------------|
| Type | Dividing wall |
| system length of runner | 500 |
| Height | 151 |
| Nominal Length | 470 |
| thickness | 12.6 |
| Actual height | 150.9 |
| Length | 470 |
| Fixing method | Screw-on |
| Material | Steel |
| material thickness | 0.75 |
| Design | Smooth with location groove |
| Colour / finish | Terra black |
| Item package | 1 piece |
| packaging | industrial packing |