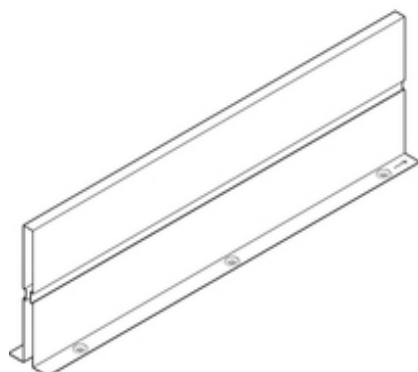


Product details

ORGA-LINE dividing wall, NL=450 mm, for TANDEMBOX intivo/antaro high fronted pull-out



Part number	Z46L420S
Item number	08675730
Colour / finish	RAL 9006 grey (white aluminium)
Packaging quantity	8
Weight per 1,000 Pcs in kg	987.65
EAN code	9002617749311
UPC code	

Technical attributes

Attribute	Value
Type	Dividing wall
system length of runner	450
Height	151
Nominal Length	420
thickness	12.6
Actual height	150.9
Length	420
Fixing method	Screw-on
Material	Steel
material thickness	0.75
Design	Smooth with location groove
Colour / finish	RAL 9006 grey (white aluminium)
Item package	1 piece
packaging	industrial packing