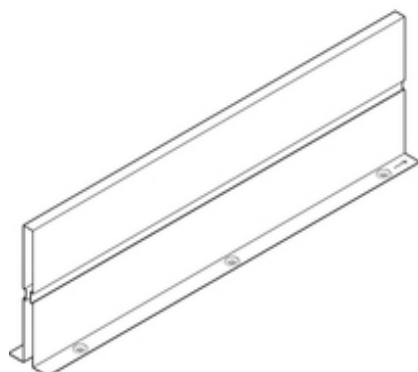


## Product details

ORGA-LINE dividing wall, NL=450 mm, for TANDEMBOX intivo/antaro high fronted pull-out



Part number	Z46L420S
Item number	07934520
Colour / finish	Silk white
Packaging quantity	8
Weight per 1,000 Pcs in kg	987.65
EAN code	9002617708387
UPC code	

### Technical attributes

Attribute	Value
Type	Dividing wall
system length of runner	450
Height	151
Nominal Length	420
thickness	12.6
Actual height	150.9
Length	420
Fixing method	Screw-on
Material	Steel
material thickness	0.75
Design	Smooth with location groove
Colour / finish	Silk white
Item package	1 piece
packaging	industrial packing