

Inner dividing systems



- ▶ ORGA-LINE for TANDEMBOX
- ▶▶ ORGA-LINE for TANDEMBOX – high fronted pull-out

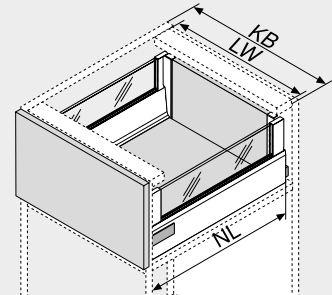


ORGA-LINE for TANDEMBOX intivo – cross divider



- ORGA-LINE flexible dividing system
- With cross divider to be cut to size
- Tool-free assembly
- For TANDEMBOX intivo high fronted pull-out, height D with BOXCOVER and BOXCAP
- Nominal length NL 270–650 mm
- Recommendation: cabinet width KB 275–1200 mm

Space requirement



NL Nominal length
KB Cabinet width
LW Internal cabinet width

Order information

A1	Cross divider for cutting to size			Part no.
	Cabinet width KB (mm)	Colour		
	275	SW TS	1	Z40L152A
	300	SW TS	1	Z40L177A
	550	SW TS	1	Z40L427A
	600	SW TS	1	Z40L477A
	900	SW TS	1	Z40L777A
	1200	SW TS	1	Z40L1077A

1 Aluminium

Cutting

- X Internal cabinet width LW – 91 mm
- Y Internal cabinet width LW – 295 mm (KB 275 mm)
- Y Internal cabinet width LW – 320 mm (KB 300 mm)
- Z 152 mm (KB 275 mm)
- Z 177 mm (KB 300 mm)

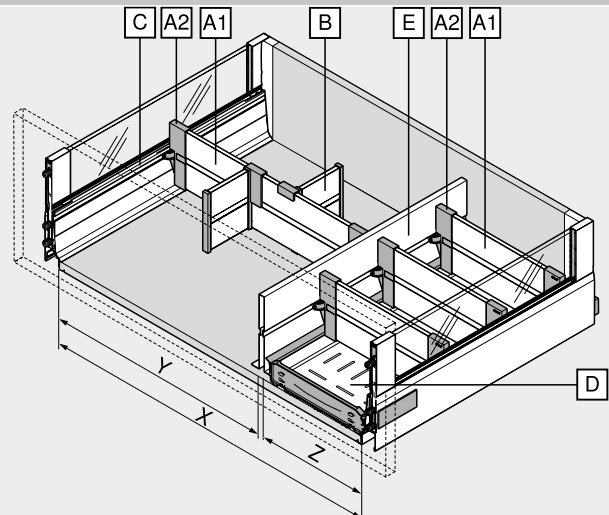
A2	Cross divider connector			Part no.
	Colour	Material		
	SW TS	Nylon		Z40L0002

Order 2 x for each cross divider

B	Lateral divider			Part no.
	Colour	Material		
	SW TS	Steel		Z43L100S

C	Adapter profile for cross divider		
Nominal length NL (mm)	Colour		
	SW TS		
270	2 x	Z49L242S	
300	2 x	Z49L272S	
350	2 x	Z49L322S	
400	2 x	Z49L372S	
450	2 x	Z49L422S	
500	2 x	Z49L472S	
550	2 x	Z49L522S	
600	2 x	Z49L572S	
650	2 x	Z49L622S	

D	Bottle rack		
Nominal length NL (mm)	Cabinet width KB (mm)		
	275	300	
450	all items		Z48.30B014
500		Z48.27B016	Z48.30B016
550		Z48.27B017	Z48.30B017
600			Z48.30B018
650			Z48.30B019



E	Dividing wall	
Nominal length NL (mm)	Colour	
	SW TS	
450	Z46L420S	
500	Z46L470S	
550	Z46L520S	
600	Z46L570S	
650	Z46L620S	

Not suitable for inner pull-out!



ORGA-LINE for TANDEMBOX intivo – cross divider

Order information

Recommendation – colour combination of the components

No.	Description	Colour	
		SW	TS
A1	Cross divider for cutting to size	SW	TS
A2	Cross divider connector	SW	TS
B	Lateral divider	SW	TS
C	Adapter profile for cross divider	SW	TS
D	Bottle rack	INGL	INGL
E	Dividing wall	SW	TS

Colour		Colour	
SW	Silk white	INGL	Stainless steel (Inox) Anti-fingerprint
TS	Terra black		

Page instructions

Overview – ORGA-LINE for TANDEMBOX	551	Assembly, removal and adjustment
ORGA-LINE kitchen accessories	569	



Short-URL
www.blum.com/a530

Inner dividing systems



- ▶ ORGA-LINE for TANDEMBOX
- ▶▶ ORGA-LINE for TANDEMBOX – high fronted pull-out

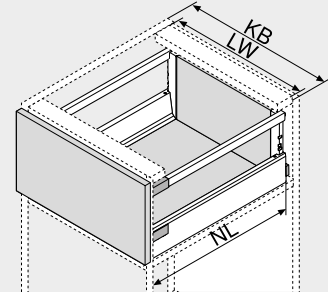


ORGA-LINE for TANDEMBOX antaro – cross divider



- ORGA-LINE flexible dividing system
- With cross divider to be cut to size
- For TANDEMBOX antaro high fronted pull-out, height C and D with gallery
- Nominal length NL 270–650 mm
- Recommendation: cabinet width KB 275–1200 mm

Space requirement



NL	Nominal length
KB	Cabinet width
LW	Internal cabinet width

Order information

A1	Cross divider for cutting to size			Part no.
	Cabinet width KB (mm)	Colour		
	275	SW TS R9006	1	Z40L152A
	300	SW TS R9006	1	Z40L177A
	550	SW TS R9006	1	Z40L427A
	600	SW TS R9006	1	Z40L477A
	900	SW TS R9006	1	Z40L777A
	1200	SW TS R9006	1	Z40L1077A

1 Aluminium

Cutting

- X Internal cabinet width LW – 91 mm
- Y Internal cabinet width LW – 295 mm (KB 275 mm)
- Y Internal cabinet width LW – 320 mm (KB 300 mm)
- Z 152 mm (KB 275 mm)
- Z 177 mm (KB 300 mm)

A2	Cross divider connector – dividing wall			Part no.
	Colour	Material		
	SW TS WGR	Nylon		Z40L0002

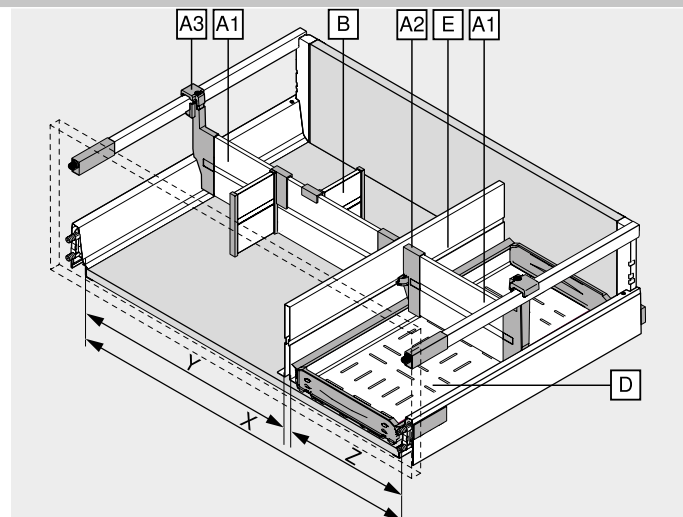
Order 1 x for each cross divider; Y, Z

A3	Cross divider connector – gallery			Part no.
	Height	Colour		
	C	SW TS WGR		Z40C0002Z
	D	SW TS WGR		Z40D0002Z

Order 2 x for each cross divider; X
Order 1 x for each cross divider; Y, Z

B	Lateral divider			Part no.
	Colour	Material		
	SW TS R9006	Steel		Z43L100S

D	Bottle rack		
	Nominal length NL (mm)	Cabinet width KB (mm)	
		275	300
	450		Z48.30B014
	500	Z48.27B016	Z48.30B016
	550	Z48.27B017	Z48.30B017
	600		Z48.30B018
	650		Z48.30B019



E	Dividing wall	
	Nominal length NL (mm)	Colour
	450	Z46L420S
	500	Z46L470S
	550	Z46L520S
	600	Z46L570S
	650	Z46L620S

Not suitable for inner pull-out!

Colour		Colour	
SW	Silk white	R9006	RAL 9006 grey (white aluminium)
TS	Terra black	WGR	White grey

Page instructions

Overview – ORGA-LINE for TANDEMBOX	551	Assembly, removal and adjustment
Recommendation for high fronted pull-out inner pull-out	566	
Recommendation – colour combination of the components	563	Short-URL
ORGA-LINE kitchen accessories	569	



Inner dividing systems



- ▶ ORGA-LINE for TANDEMBOX
- ▶▶ ORGA-LINE for TANDEMBOX – high fronted pull-out

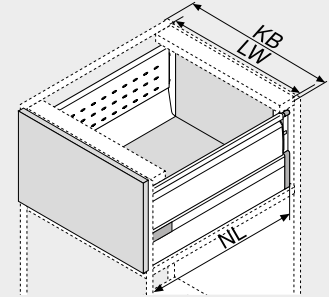


ORGA-LINE for TANDEMBOX plus – cross divider



- ORGA-LINE flexible dividing system
- With cross divider to be cut to size
- Tool-free assembly
- For TANDEMBOX plus high fronted pull-out, height D with double walled BOXSIDE
- Nominal length NL 270–650 mm
- Recommendation: cabinet width KB 275–1200 mm

Space requirement



NL Nominal length
KB Cabinet width
LW Internal cabinet width

Order information

A1	Cross divider for cutting to size			Part no.
	Cabinet width KB (mm)	Colour		
	275	SW R9006	1	Z40L152A
	300	SW R9006	1	Z40L177A
	550	SW R9006	1	Z40L427A
	600	SW R9006	1	Z40L477A
	900	SW R9006	1	Z40L777A
	1200	SW R9006	1	Z40L1077A

1 Aluminium

Cutting

- X Internal cabinet width LW – 91 mm
- Y Internal cabinet width LW – 295 mm (KB 275 mm)
- Y Internal cabinet width LW – 320 mm (KB 300 mm)
- Z 152 mm (KB 275 mm)
- Z 177 mm (KB 300 mm)

A2	Cross divider connector			Part no.
	Material	Colour		
	R7037	Nylon		Z40H0002Z

Order 2 x for each cross divider

Order 1 x for each cross divider; Y, Z only in combination with A3

Alternative to A2

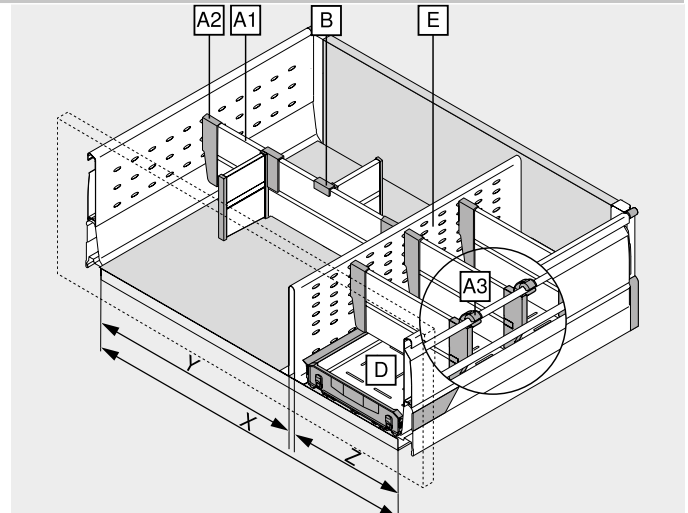
A3	Cross divider connector – gallery			Part no.
	Colour	Material		
	R7037	Nylon		Z40H0002ZR

Order 2 x for each cross divider; X

Order 1 x for each cross divider; Y, Z

B	Lateral divider			Part no.
	Colour	Material		
	SW R9006	Steel		Z43L100S

D	Bottle rack		
	Nominal length NL (mm)	Cabinet width KB (mm)	
		275	300
	450		Z48.30B014
	500	Z48.27B016	Z48.30B016
	550	Z48.27B017	Z48.30B017
	600		Z48.30B018
	650		Z48.30B019



E	Dividing wall	
	Nominal length NL (mm)	Colour W R9006
	450	Z46C420S.E2
	500	Z46C470S.E2
	550	Z46C520S.E2
	600	Z46C570S.E2
	650	Z46C620S.E2

Not suitable for inner pull-out!

Colour		Colour	
W	White	SW	Silk white
R9006	RAL 9006 grey (white aluminium)	R7037	RAL 7037 dust grey

Page instructions

Overview – ORGA-LINE for TANDEMBOX	551	Assembly, removal and adjustment
Recommendation for high fronted pull-out inner pull-out	566	
Recommendation – colour combination of the components	565	Short-URL
ORGA-LINE kitchen accessories	569	



www.blum.com/a530

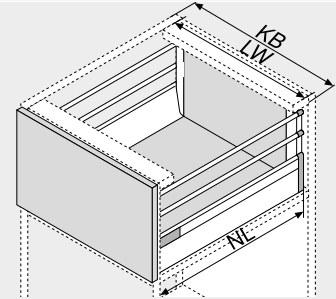


ORGA-LINE for TANDEMBOX plus – cross gallery



- ORGA-LINE flexible dividing system
- With cross gallery for cutting to size
- For TANDEMBOX plus high fronted pull-out, height C and D with gallery
- Nominal length NL 270–650 mm
- Recommendation: cabinet width KB 275–1200 mm

Space requirement



NL Nominal length
 KB Cabinet width
 LW Internal cabinet width

Order information

A1	Cross gallery for cutting to size			
Cabinet width KB – 1200 mm				
	Colour	Material	Part no.	
	W R9006	Aluminium	ZRG.1094U	
	Cutting	Internal cabinet width LW – 68 mm		
A3	Cross gallery connector			
	Colour	Material	Part no.	
	R7037	Nylon	ZRU.00Z0	
Order 2 x for each cross gallery				
B	Lateral divider			
	Colour	Material	Part no.	
	R7037	Nylon	ZRU.00F0	

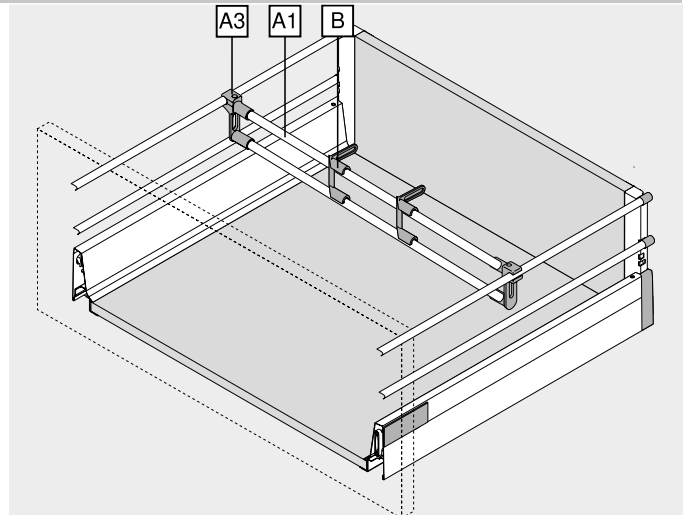
Recommendation – colour combination of the components
 ORGA-LINE for TANDEMBOX plus – cross divider

No.	Description	Colour	
		W	R9006
A1	Cross divider for cutting to size	SW	R9006
A2	Cross divider connector	R7037	R7037
A3	Cross divider connector – gallery	R7037	R7037
B	Lateral divider	SW	R9006
D	Bottle rack	INGL	INGL
E	Dividing wall	W	R9006

ORGA-LINE for TANDEMBOX plus – cross gallery

No.	Description	Colour	
		W	R9006
A1	Cross gallery for cutting to size	W	R9006
A3	Cross gallery connector	R7037	R7037
B	Lateral divider	R7037	R7037

Colour	Colour
W White	R7037 RAL 7037 dust grey
SW Silk white	INGL Stainless steel (Inox) Anti-fingerprint
R9006 RAL 9006 grey (white aluminium)	



Page instructions

Overview – ORGA-LINE for TANDEMBOX	551	Assembly, removal and adjustment
Recommendation for high fronted pull-out inner pull-out	566	
ORGA-LINE kitchen accessories	569	

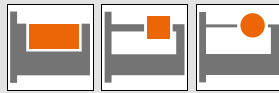


Short-URL
www.blum.com/a530

Inner dividing systems



- ▶ ORGA-LINE for TANDEMBOX
- ▶▶ ORGA-LINE for TANDEMBOX – high fronted pull-out



Recommendation for high fronted pull-out | inner pull-out



Application – provisions

Application – open provisions

Cabinet width KB (mm)	Nominal length NL (mm)			
	450	500	550	600 650
275				
300	1 x cross divider		2 x cross divider	
400				
450				
500	1 x cross divider, 2 x lateral dividers		2 x cross divider, 3 x lateral dividers	
550				
600				
800				
900	1 x cross divider, 3 x lateral dividers		2 x cross divider, 6 x lateral dividers	
1000				
1200				

Application – crockery

Cabinet width KB (mm)	Nominal length NL (mm)			
	450	500	550	600 650
Starting at 400			2 x Blum plate holders	
Starting at 800			4 x Blum plate holders	
Starting at 1000			6 x Blum plate holders	
SPACE CORNER				
Installation dimension PL (mm)	Nominal length NL (mm)			
	600		650	
Up to 1050			2 x Blum plate holders	
Starting at 1050			3 x Blum plate holders	

Application – plastic containers

Cabinet width KB (mm)	Nominal length NL (mm)			
	450	500	550	600 650
275				
300			1 x cross divider	
400				
450				
500			1 x cross divider, 2 x lateral dividers	
550				
600				
800				
900			1 x cross divider, 3 x lateral dividers	
1000				
1200				
Application	Nominal length NL (mm)			
	600		650	
SPACE CORNER			1 x cross divider, 2 x lateral dividers	

Application	Nominal length NL (mm)	
	600	650
SPACE CORNER		1 x cross divider, 2 x lateral dividers



Application – waste bin pull-out | cleaning agents

Cabinet width KB (mm)	Nominal length NL (mm)			
	450	500	550	600 650
900–1200	1 x bottle rack, 2 x dividing wall, 3 x cross divider	1 x bottle rack, 2 x dividing wall, 4 x cross divider	1 x bottle rack, 2 x dividing wall, 5 x cross divider	

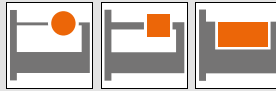
Application – spices

Cabinet width KB (mm)	Nominal length NL (mm)			
	450	500	550	600 650
300			2 x spice holders, 1 x cross divider	2 x spice holders, 2 x cross divider
400				
450		2 x spice holders, 1 x cross divider, 2 x lateral dividers		2 x spice holders, 2 x cross divider, 3 x lateral dividers

Application – bottles

Cabinet width KB (mm)	Nominal length NL (mm)			
	450	500	550	600 650
275				
			1 x bottle rack, 4 x cross divider	1 x bottle rack, 5 x cross divider
300	1 x bottle rack, 3 x cross divider			

ORGA-LINE for TANDEMBOX ◀
 ORGA-LINE for TANDEMBOX – high fronted pull-out ◀◀



Inner dividing systems



Recommendation for high fronted pull-out | inner pull-out



Application – bottles cutting boards				
Cabinet width KB (mm)	Nominal length NL (mm)			
	450	500	550	600 650
400	1 x bottle rack, 1 x dividing wall, 3 x cross divider	1 x bottle rack, 1 x dividing wall, 4 x cross divider	1 x bottle rack, 1 x dividing wall, 5 x cross divider	
450				
500				
550	1 x bottle rack, 2 x dividing wall, 3 x cross divider	1 x bottle rack, 2 x dividing wall, 4 x cross divider	1 x bottle rack, 2 x dividing wall, 5 x cross divider	
600				
800				
900				
1000				
1200	Not suitable for inner pull-out!			

Application – pots lids pans cooking utensils					
Cabinet width KB (mm)	Nominal length NL (mm)				
	450	500	550	600	650
600	1 x cross divider, 2 x lateral dividers	2 x cross divider, 3 x lateral dividers			
800					
900	1 x cross divider, 3 x lateral dividers	2 x cross divider, 6 x lateral dividers			
1000					
1200					

Application – baking trays tins				
Cabinet width KB (mm)	Nominal length NL (mm)			
	450	500	550	600 650
300	1 x dividing wall			
400	2 x dividing wall			
450	3 x dividing wall			
Starting at 500	3 x dividing wall			
Not suitable for inner pull-out!				

Inner dividing systems

Page instructions

Overview – ORGA-LINE for TANDEMBOX	551	ORGA-LINE for TANDEMBOX plus – cross divider	564	Assembly, removal and adjustment	
ORGA-LINE for TANDEMBOX intivo – cross divider	560	ORGA-LINE for TANDEMBOX plus – cross gallery	565		
ORGA-LINE for TANDEMBOX antaro – cross divider	562	ORGA-LINE kitchen accessories	569	Short-URL	
ORGA-LINE for TANDEMBOX antaro – cross gallery	563			www.blum.com/a530	