

# Box systems



- ▶ METABOX
- ▶▶ Single extension



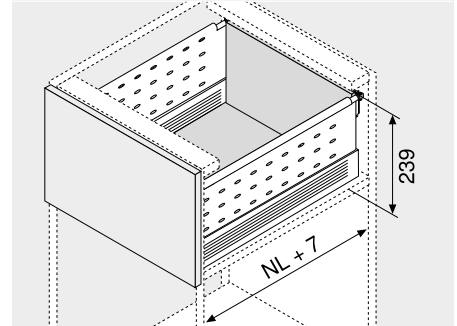
## High fronted pull-out – gallery – D

Webcode  
DQCQNY



- With simple gallery
- Single extension with 86 mm high
- Drawer sides made from steel
- High impact nylon rollers
- Dyn. load bearing 25 kg
- BLUMATIC self closing feature
- 3-dimensional front adjustment

### Space requirement



NL Nominal length

Box systems

### Order information

<b>1</b>	<b>Cabinet profiles and drawer sides left/right</b>		
	<b>Colour</b>	R9001	
<b>Nominal length</b>	<b>Version</b>		
<b>NL (mm)</b>	<b>Screw-on version</b>	<b>Quick assembly version</b>	
350	320M3500C	320M3500C15	
400	320M4000C	320M4000C15	
450	320M4500C	320M4500C15	
500	320M5000C	320M5000C15	
550	320M5500C	320M5500C15	
Other colours available upon request (white or grey)			

<b>2a</b>	<b>CLIP front fixing brackets</b>		
	<b>Fixing</b>	<b>Part no.</b>	
	Screw-on	ZSF.1200	
	Knock-in	ZSF.1300	
	EXPANDO	ZSF.130E	
Order left/right			

<b>2b</b>	<b>Cover caps for 2a</b>		
	<b>Colour</b>	<b>Material</b>	<b>Part no.</b>
	R9001	Nylon	ZAA.3700
Order left/right			

<b>Alternative to 2a</b>			
<b>2c</b>	<b>Standard front fixing brackets left</b>		
	<b>Fixing</b>	<b>Part no.</b>	
	Screw-on	ZSF.1700	
	Knock-in	ZSF.1800	
Order left/right			

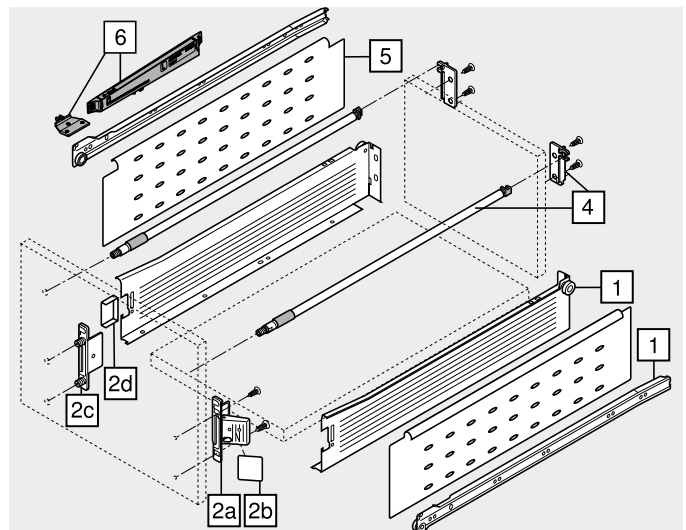
<b>2d</b>	<b>Cover caps for 2c</b>		
	<b>Colour</b>	<b>Material</b>	<b>Part no.</b>
	R9001	Nylon	2 x ZAA.3500

<b>4</b>	<b>Longside gallery rails with back fixing left/right</b>		
<b>Nominal length</b>	<b>Colour</b>		
<b>NL (mm)</b>	R9001		
350	ZRE.321S.ID		
400	ZRE.371S.ID		
450	ZRE.421S.ID		
500	ZRE.471S.ID		
550	ZRE.521S.ID		

<b>Colour</b>	<b>Colour</b>
R9001   RAL 9001 cream	WGR   White grey

<b>a</b>	<b>Accessories</b>		
<b>5</b>	<b>Single-wall BOXSIDE</b>		
<b>Nominal length</b>	<b>Colour</b>		
<b>NL (mm)</b>	R9001		
400	2 x	Z36H367SE01	
450	2 x	Z36H417SE01	
500	2 x	Z36H467SE01	
550	2 x	Z36H517SE01	

<b>6</b>	<b>BLUMOTION for METABOX 320</b>		
	<b>Colour</b>	<b>Material</b>	<b>Part no.</b>
	WGR/R9001	Nylon	Z70.0320
Other colours available for latch upon request (white or grey)			





**High fronted pull-out – gallery – D**

Webcode  
DQCQNY

**Planning**

Space requirement in cabinet	Installation dimensions – front – screw-on	Drilling distances – front – EXPANDO/knock-in	Installation dimensions – back

\* +2 mm with BLUMOTION  
\*\* With double gallery

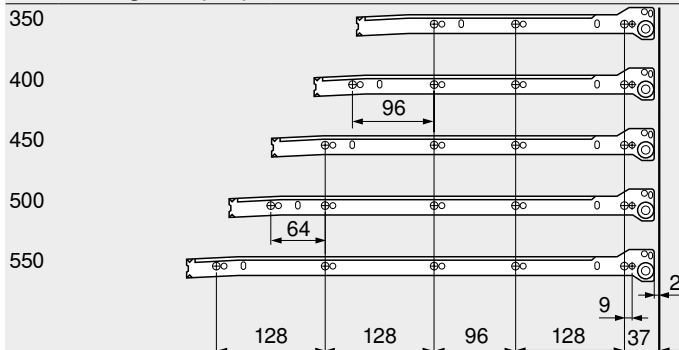
FA Front overlay  
\* +2 mm with BLUMOTION  
\*\* With double gallery

\* +2 mm with BLUMOTION  
\*\* With double gallery

\*\* With double gallery

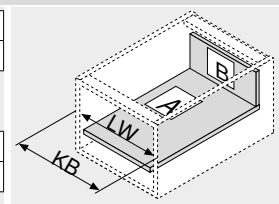
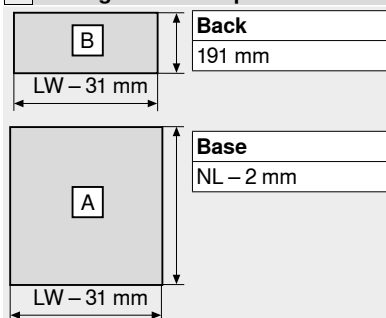
**Screw position – cabinet profiles**

**Nominal length NL (mm)**



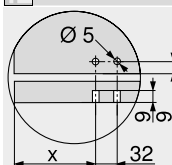
High fronted pull-out  
Internal cabinet depth LT min. = nominal length NL + 7 mm

**Cutting – 16 mm chipboard**



KB Cabinet width  
LW Inner cabinet width  
NL Nominal length

**Base assembly for quick assembly version**



X (mm)
High fronted pull-out   69

**Page instructions**

Overview – METABOX	397	Overview – assembly devices	683
Accessories	412	More technical details	774
BLUMOTION for METABOX 320	415		
Accessories – ORGA-LINE – gallery	418		
Accessories – ORGA-LINE – BOXSIDE	419		
Cabinet profile fixing positions	420		
Assembly, removal and adjustment	421		