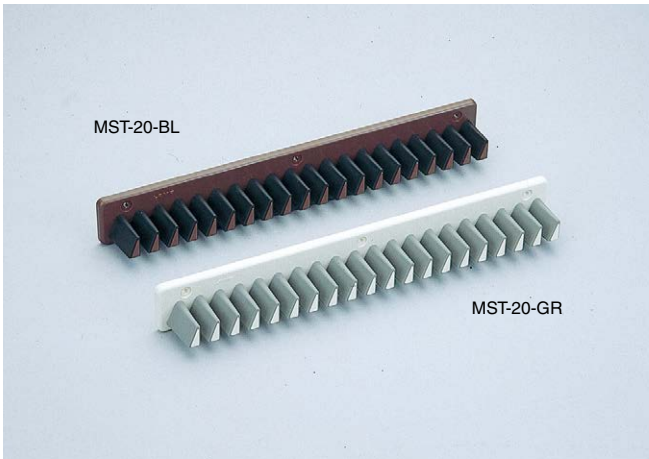


TIE RACK



MST-20

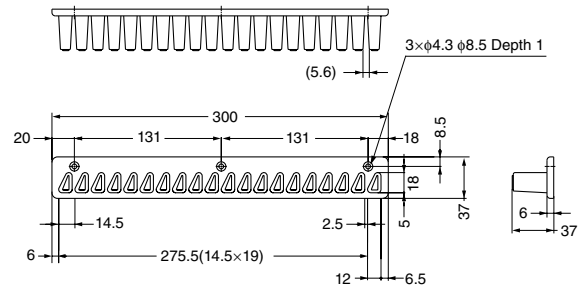


Features

2 ways of holding possible depending on tie thickness.

Parts Included

Binding head tapping screw 4 × 14 (SUS)



Application Example



Part Name	Material
Body	ABS
Stopper	Elastomer (TPE)

Item Code	Item Name	Colour	Load Capacity/position	Weight	Box	Carton
110-025-304	MST-20BL	Brown+Black	2.94 N	0.3 kgf	116 g	10 pcs / 120 pcs
110-025-305	MST-20GR	Ivory+Grey	2.94 N	0.3 kgf	116 g	10 pcs / 120 pcs

TIE RACK



TR



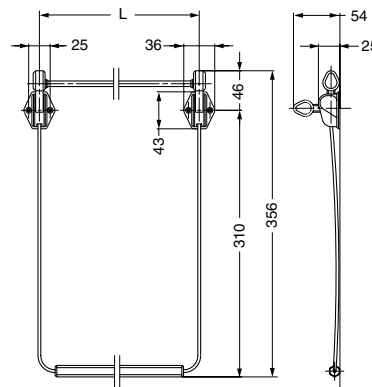
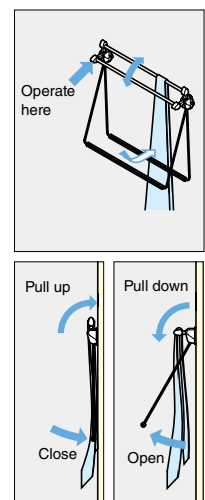
Features

Holding bar keeps the ties tidy.

Parts Included

Round head wood screw 3.1 × 16

How to Use



Item Code	Item Name	Material	Colour/Finish	L	Weight	Box	Carton
110-020-110	TR-300	Polyamide (PA) and Polyacetal (POM)/Steel	Brown/Chrome	300	190 g	10 pcs	80 pcs
110-020-111	TR-350	Polyamide (PA) and Polyacetal (POM)/Steel	Brown/Chrome	350	210 g	10 pcs	80 pcs
110-020-112	TR-400	Polyamide (PA) and Polyacetal (POM)/Steel	Brown/Chrome	400	243 g	10 pcs	80 pcs

*Limited stock available Please contact your vendor.

