

CLOSET ROD LIFT MECHANISM (T-TYPE)



TAT



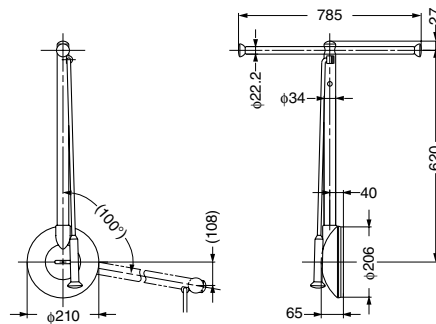
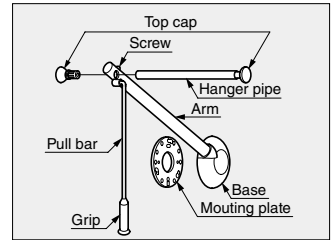
Bracket sold separately
See below (TAB)

Features

- TAB, the bracket required for installation is sold separately.
- Create space more efficiently by separating short and long clothes.

Parts Included

Countersunk head wood screw 4.1x20

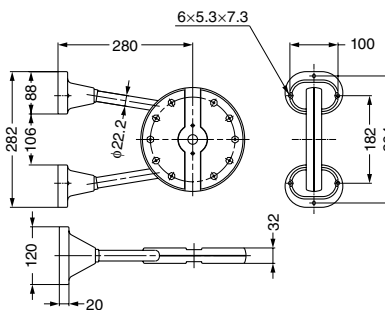


Item Code	Item Name	Type	Material	Colour	Load Capacity		Weight	Box	Carton
110-029-005	TAT-800R-G	Right-Hand	Polystyrene (PS)/Steel	Grey	39.2 - 49 N	4 - 5 kgf	6 kg	1 set	3 sets
110-029-004	TAT-800L-G	Left-Hand	Polystyrene (PS)/Steel	Grey	39.2 - 49 N	4 - 5 kgf	6 kg	1 set	3 sets

BRACKET



TAB



Features

Back wall mount bracket for TAS, TAW and TAT.

Remarks

Do not use impact driver.

Parts Included

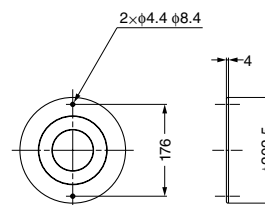
- Wood screw 6 pcs
- Countersunk head screw 16 pcs

Item Code	Item Name	Material	Colour	Weight	Box	Carton
110-020-170	TAB-G	Steel and Polystyrene (PS)	Grey	1.5 kg	1 pc	4 pcs
110-020-171	TAB-U	Steel and Polystyrene (PS)	Umber	1.5 kg	1 pc	4 pcs

COVER FOR TAB BRACKET



TAC



Parts Included

Countersunk head screw 2 pcs

Item Code	Item Name	Material	Colour	Weight	Box
110-020-176	TAC-G	Steel	Grey	0.21 kg	1 pc
110-020-177	TAC-U	Steel	Umber	0.21 kg	1 pc