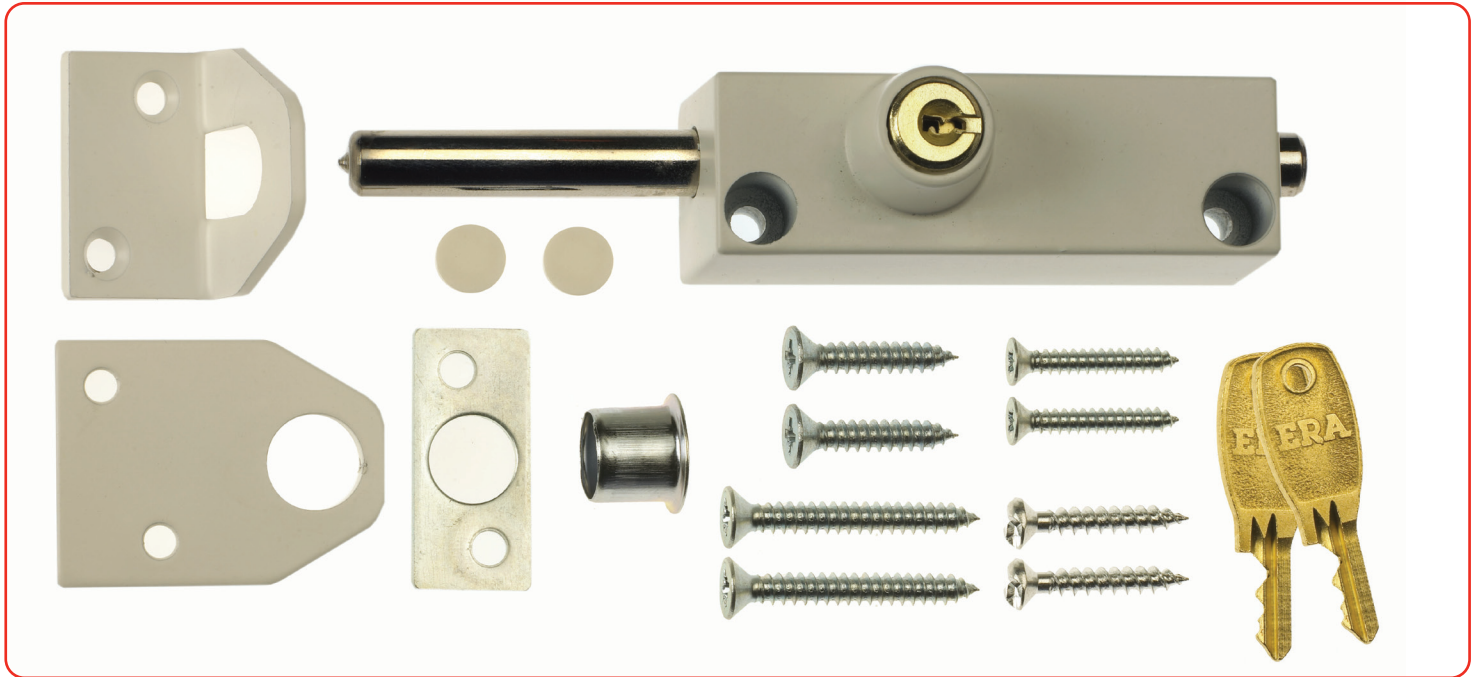


Multi Purpose Bolt



Features

- Can be fitted to Aluminium and Timber sliding and hinged doors
- The long bolt throw also makes it ideal for patio and garage doors
- Rotating steel bolt resists hacksawing
- Fixing screws are concealed when in the locked position
- Each bolt is supplied with steel receiving plates and a ferrule for easy fitting to all types of jamb
- Cut keyed versions can be supplied with keys to pass

Multi Purpose Bolt

Ordering Details

Multi Purpose Bolt - Cut Keys

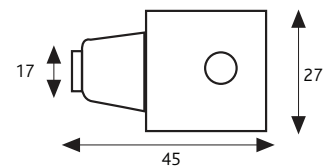
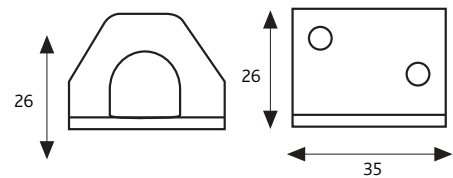
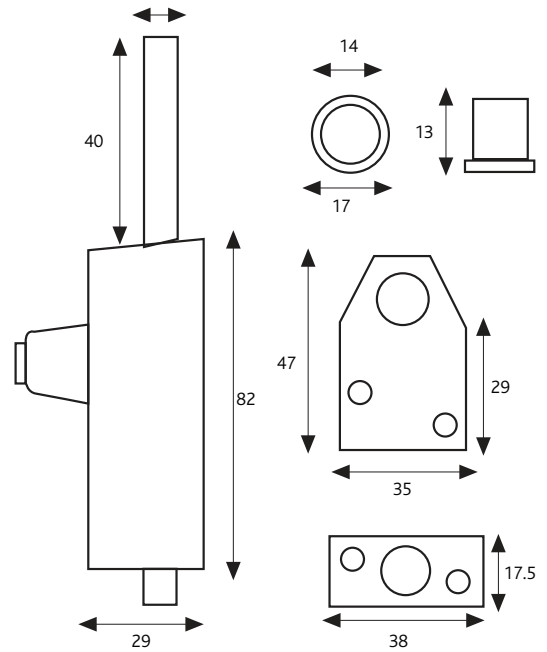
| Product | Part No. |
|---------|----------|
| White | 807-12 |
| Brown | 807-22 |
| Satin | 807-52 |
| Brass | 807-32 |

Maintenance

The pivot point should be lightly lubricated twice a year and the surface cleaned with a soft cloth to remove any dust or grime. The product should be periodically adjusted and the fixings tightened to ensure a satisfactory operation

Packaging

Multi Purpose Bolt:
1 per clam, 5 per box



All dimensions are in mm.
ERA reserves the right to change specification without notice.
It is the responsibility of the door manufacturer to ensure that the finished product meets any required safety and performance specification