

### Additional Economy Window Locks



Metlock



Transom Lock

### Features

#### Metlock

- Utilises a high tensile steel bolt to prevent the handle from moving
- The steel construction is operated by a standard key
- Suitable for most cockspur handles on metal windows

#### Transom Lock

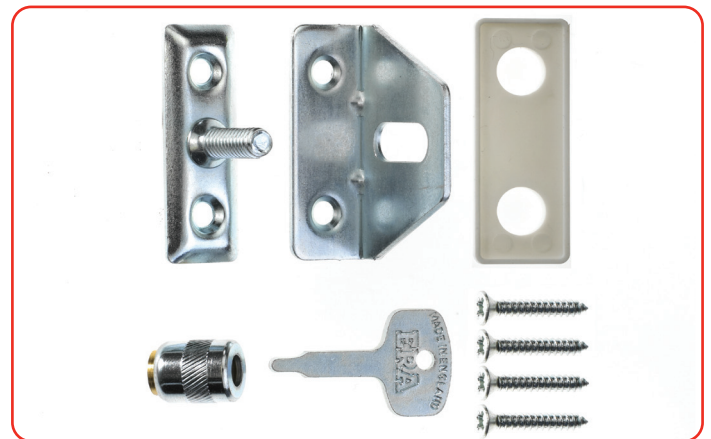
- Clamps the window stay to the fixed peg on metal transom windows
- Fully removable to allow normal window opening

#### Locking Window Catch

- Manufactured from steel and brass to hold the window tight against the frame
- Operated by a threaded peg and key operated locknut
- Suitable for most timber windows and small doors
- Wedged packing plates are included for tapered frames

#### Staylock

- Suitable for most stays, with or without holes for through-pegs
- Ideal for most timber casement windows
- Fitted with a tamper resistant spring loaded locking system
- Key operated



Locking Window Catch



Staylock

### Additional Economy Window Locks

#### Ordering Details

| Product                                    | Part No. |
|--|----------|
| <b>Metlock - Standard Key</b>              |          |
| White - 2 per card                         | 829-12   |
| <b>Transom Lock</b>                        |          |
| White                                      | 825-12   |
| Spare Key for Transom Lock                 | 580-56   |
| <b>Locking Window Catch - Standard Key</b> |          |
| Satin                                      | 828-52   |
| Satin - 4 per card                         | 828-53   |
| <b>Staylock</b>                            |          |
| Brass - 2 per card                         | 591-12   |
| Satin - 2 per card                         | 682-12   |
| Satin - 6 per card                         | 591-12   |
| Spare Key for Staylock                     | 682-12   |

#### Maintenance

The pivot point should be lightly lubricated twice a year and the surface cleaned with a soft cloth to remove any dust or grime. The product should be periodically adjusted and the fixings tightened to ensure a satisfactory operation

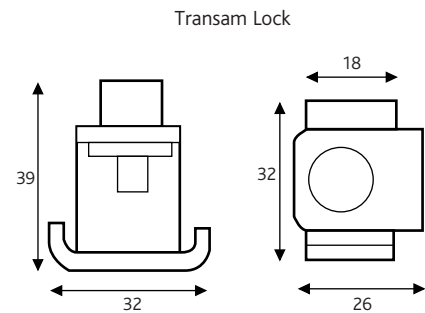
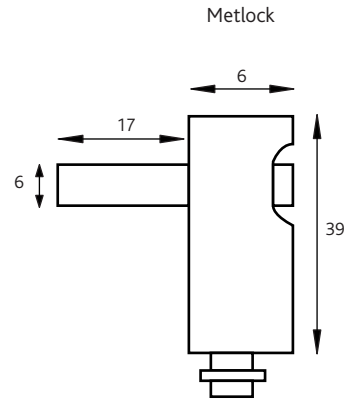
#### Packaging

**Metlock:**  
2 per bag, 20 per box. 2 per clam, 10 per box.

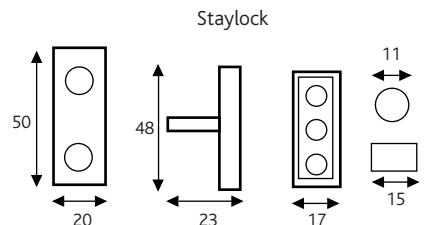
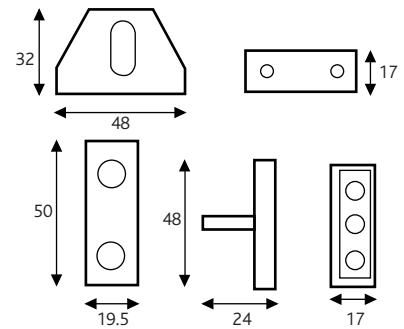
**Transom Lock:**  
1 per bag or clam, 10 per box.

**Locking Window Catch:**  
1 per bag, 20 per box. 1 per clam, 10 per box.

**Staylock:**  
1 per bag, 60 per box. 1 per clam, 10 per box.



Locking Window Catch



All dimensions are in mm.

ERA reserves the right to change specification without notice. It is the responsibility of the window manufacturer to ensure that the finished product meets any required safety and performance specification