

Sash Jammer



Features

- The Sash Jammer is ideal for extra security on PVCu windows
- Simple to operate and easy to fit
- Non-handed for use on all applications
- Available as a standard product or with a key lock to secure the arm in place when the window is closed
- The key lock is ideal for ensuring windows are completely protected when left unoccupied
- Can also provide excellent additional security to doors



Sash Jammer with key lock

Sash Jammer

Ordering Details

Product	Part No.
---------	----------

Sash Jammer - Clam Version

White (includes lock)	816 - 12
Brown (includes lock)	816 - 22

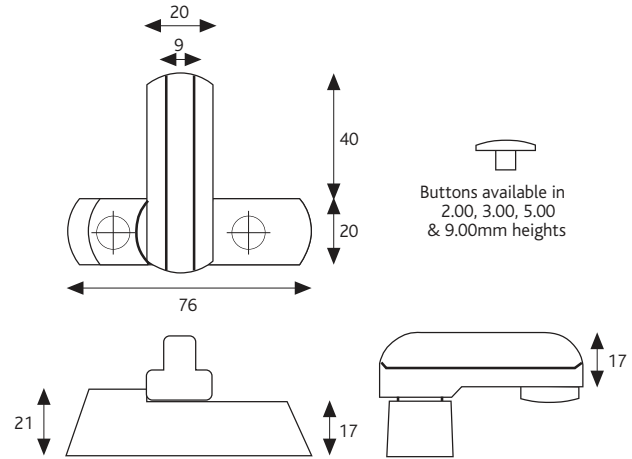
Sash Jammer - Bagged Version

White - Body only	816 - 15
White - Lock only	817 - 15
Brown - Body only	816 - 25
Brown - Lock only	817 - 25

2mm Packer for Sash Jammer

White	818 - 16
-------	----------

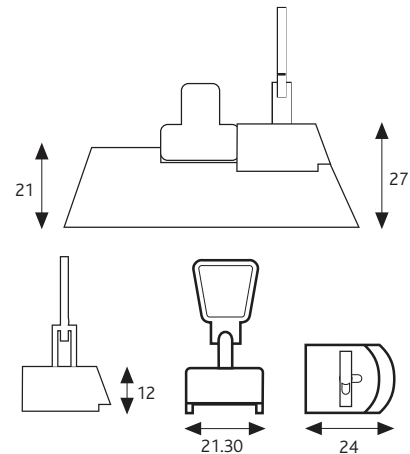
Sash Jammer



Maintenance

The pivot point should be lightly lubricated twice a year and the surface cleaned with a soft cloth to remove any dust or grime. The product should be periodically adjusted and the fixings tightened to ensure a satisfactory operation

Sash Jammer Lock



Packaging

Bagged version

1 lock per pack, 10 per outer box

Clam version

1 lock per clam, 5 per outer box

All dimensions are in mm.

ERA reserves the right to change specification without notice.

It is the responsibility of the window manufacturer to ensure that the finished product meets any required safety and performance specification