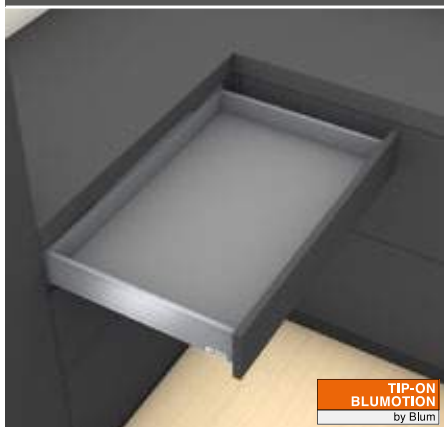




TIP-ON BLUMOTION



- The TIP-ON mechanical opening support system combined with soft-close BLUMOTION
- Gap 2.5 mm
- Four-dimensional front adjustment
- Extensive trigger range
- Synchronised feather-light glide
- Synchronisation for internal cabinet widths LW of 245 mm and wider

Order information

| 1 | Cabinet profiles left/right | |
|----------------|--------------------------------|-----------|
| | BLUMOTION S | |
| Nominal length | Dynamic carrying capacity (kg) | |
| NL (mm) | 40 | 70 |
| 270 | 750.2701S | |
| 300 | 750.3001S | |
| 350 | 750.3501S | |
| 400 | 750.4001S | |
| 450 | 750.4501S | 753.4501S |
| 500 | 750.5001S | 753.5001S |
| 550 | 750.5501S | 753.5501S |
| 600 | 750.6001S | 753.6001S |
| 650 | | 753.6501S |

| 6.1 TIP-ON BLUMOTION set | | | | | |
|--------------------------|------|----------------------|-------------|---|----------|
| Nominal length NL (mm) | Unit | Cabinet profile (kg) | Weight (kg) | 1 | Part no. |
| 270–300 | S0 | 40 | ≤ 10 | | T60L7040 |
| 270–300 | S1 | 40 | > 10–20 | | T60L7140 |
| 350–600 | L1 | 40 | ≤ 20 | 2 | T60L7340 |
| 350–650 | L3 | 40 | 15–40 | | T60L7540 |
| 450–650 | L5 | 70 | 35–70 | | T60L7570 |

Composed of:
6a 1 x TIP-ON BLUMOTION unit left/right
6b 1 x TIP-ON BLUMOTION latch left/right
6e 2 x TIP-ON BLUMOTION synchronisation adapter
 Internal cabinet width LW ≥ 294 mm

¹ Recommended weight ranges (total weight of the pull-out) for an optimum opening and closing function
 Can only be combined with a 40 kg cabinet profile

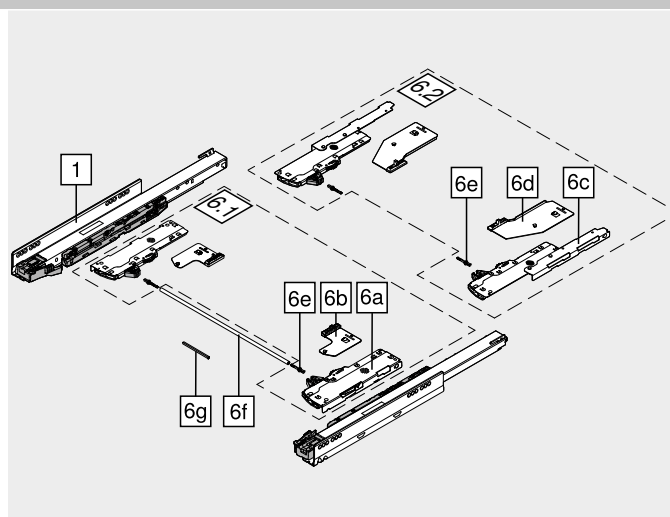
² Can only be combined with a 40 kg cabinet profile

| 6.2 TIP-ON BLUMOTION set sink pull-out | | | | | |
|--|------|----------------------|-------------|---|----------|
| Nominal length NL (mm) | Unit | Cabinet profile (kg) | Weight (kg) | 1 | Part no. |
| 350–650 | L1 | 40 | ≤ 20 | 2 | T60L9340 |
| 350–600 | L3 | 40 | 15–40 | | T60L9540 |

Composed of:
6c 1 x TIP-ON BLUMOTION unit left/right
6d 1 x TIP-ON BLUMOTION latch left/right
6e 2 x TIP-ON BLUMOTION synchronisation adapter
 Internal cabinet width LW ≥ 314 mm

¹ Recommended weight ranges (total weight of the pull-out) for an optimum opening and closing function
 Can only be combined with a 40 kg cabinet profile

² Can only be combined with a 40 kg cabinet profile



| Internal cabinet width LW ≥ 294 mm | | | |
|---|----------|-----------|--|
| 6f TIP-ON BLUMOTION synchronisation linkage | | | |
| Version | Material | Part no. | |
| Round | Nylon | T60.1125W | |

In combination with 6e 2 x T60.000D

Cutting
6.1 Internal cabinet width LW – 247 mm
6.2 Internal cabinet width LW – 267 mm

| Internal cabinet width LW 245–293 mm | | | |
|--------------------------------------|---------------------|----------|--|
| 6g TIP-ON BLUMOTION synchronisation | | | |
| Version | Colour | Part no. | |
| Square | RAL 7035 light grey | T60.300D | |

Cutting
6.1 Internal cabinet width LW – 221 mm

| a Accessories | | | |
|---|---------------------|----------|--|
| 6e TIP-ON BLUMOTION synchronisation adapter | | | |
| Version | Colour | Part no. | |
| Symmetrical | RAL 7035 light grey | T60.000D | |

Internal cabinet width LW ≥ 294 mm

| – Front gap template for TIP-ON BLUMOTION | | | |
|---|--------|----------|--|
| Front gap FS (mm) | Colour | Part no. | |
| 2.5 | Orange | 65.5631 | |

Page instructions

| | | | |
|-------------------------------|-----|----------------------------------|--|
| TIP-ON BLUMOTION for LEGRABOX | 262 | Assembly, removal and adjustment | |
| Overview – LEGRABOX | 219 | | |
| Planning | 264 | Short-URL | www.blum.com/a320 |
| Overview – assembly devices | 595 | | |
| More technical details | 686 | | |

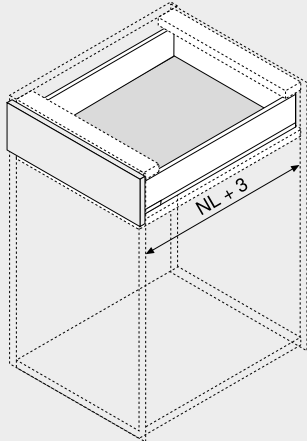


TIP-ON BLUMOTION

Planning

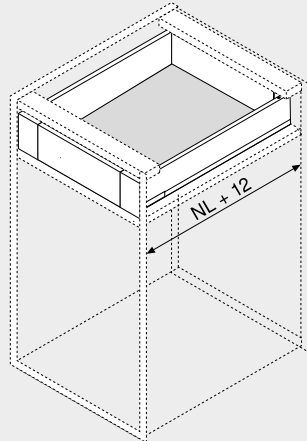
Space requirement in cabinet

Drawer | high fronted pull-out



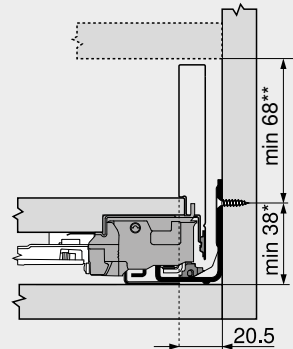
NL Nominal length

Inner drawer | inner pull-out



NL Nominal length

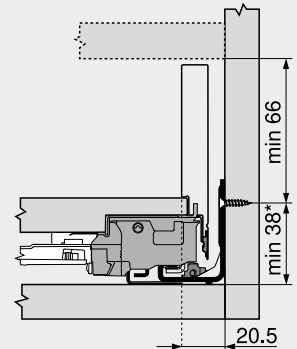
Drawer | high fronted pull-out



Height M

* +1 mm if cabinet profile is installed before the cabinet is assembled
** Incl. 2 mm tilt adjustment

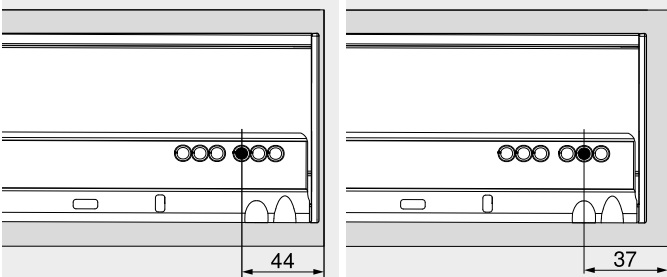
Inner drawer | inner pull-out



Height M

* +1 mm if cabinet profile is installed before the cabinet is assembled
TIP-ON BLUMOTION cannot be used in combination with latch set Z17.0M07

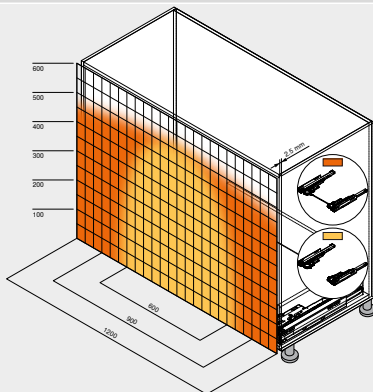
Screw position – inner drawer | inner pull-out



Variant 1

Variant 2

Trigger range



Trigger range

- With synchronisation
- Without synchronisation

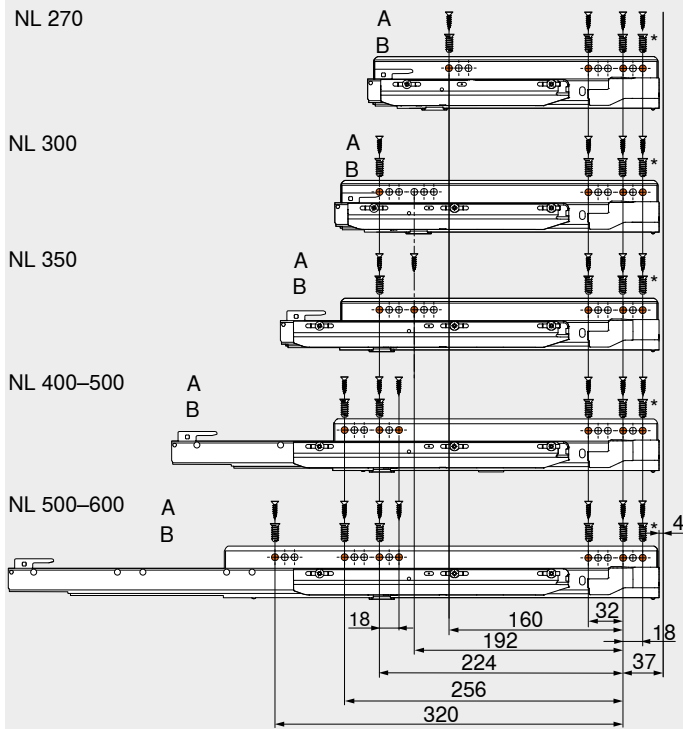
Minimum front gap (mm) 2.5
With front/base stabiliser

To optimise the functioning and trigger range, a synchronisation must be used

Example for 750 | 753, C height, nominal length NL 500 mm

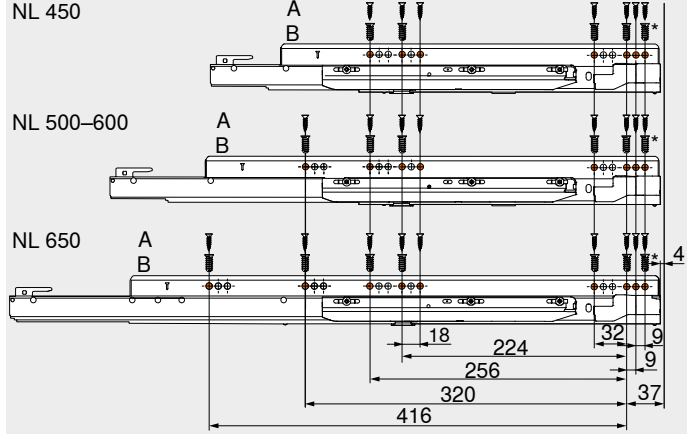


Cabinet profile 750 – 40 kg



NL Nominal length
 A Chipboard screws \varnothing 4 x 15 mm
 B Chipboard screws, part no. 661.1450.HG
 * Can be replaced with chipboard screw \varnothing 4 x 15 mm

Cabinet profile 753 – 70 kg



NL Nominal length
 A Chipboard screws \varnothing 4 x 15 mm
 B Chipboard screws, part no. 661.1450.HG
 * Can be replaced with chipboard screw \varnothing 4 x 15 mm