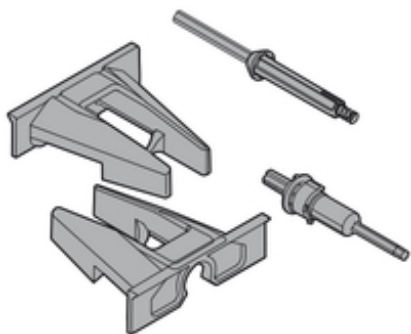


## Product details

TIP-ON locking device and adapter, nylon/steel



Part number	T57.7400.01
Item number	01605111
Colour / finish	R7037 dust grey
Packaging quantity	1 / 40
Weight per 1,000 Pcs in kg	38.22
EAN code	9009494112542
UPC code	

## Technical attributes

Attribute	Value
Type	TIP-ON locking device and adapter
Material	Nylon/steel
Colour / finish	RAL 7037 dust grey
Item package	1 piece
packaging	industrial packing