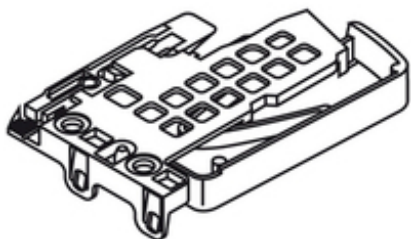


Product details

TANDEM locking device, left



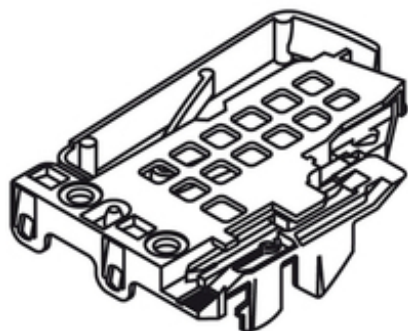
Part number	T51.1700.04
Item number	02003290
Colour / finish	Orange
Packaging quantity	100
Weight per 1,000 Pcs in kg	42.77
EAN code	9002617343366
UPC code	

Technical attributes

Attribute	Value
type of locking device	Locking device
locking device version	amended grip piece
catching area	0 mm to 4 mm
Height adjustment	+ 3 mm tool-free
Material	Nylon / Zinc
Colour / finish	orange
Version	multipart
fixing of locking device	with screws
Item package	left
packaging	industrial packing
fixing position of locking device	locking device fixing position 01

Product details

TANDEM locking device, right



Part number	T51.1700.04
Item number	02003530
Colour / finish	Orange
Packaging quantity	100
Weight per 1,000 Pcs in kg	43.1
EAN code	9002617343359
UPC code	

Technical attributes

Attribute	Value
type of locking device	Locking device
locking device version	amended grip piece
catching area	0 mm to 4 mm
Height adjustment	+ 3 mm tool-free
Material	Nylon / Zinc
Colour / finish	orange
Version	multipart
fixing of locking device	with screws
Item package	right
packaging	industrial packing
fixing position of locking device	Locking device fixing position 02