

HEAVY DUTY MULTI-ANGLE LID STAY

TEST METHOD

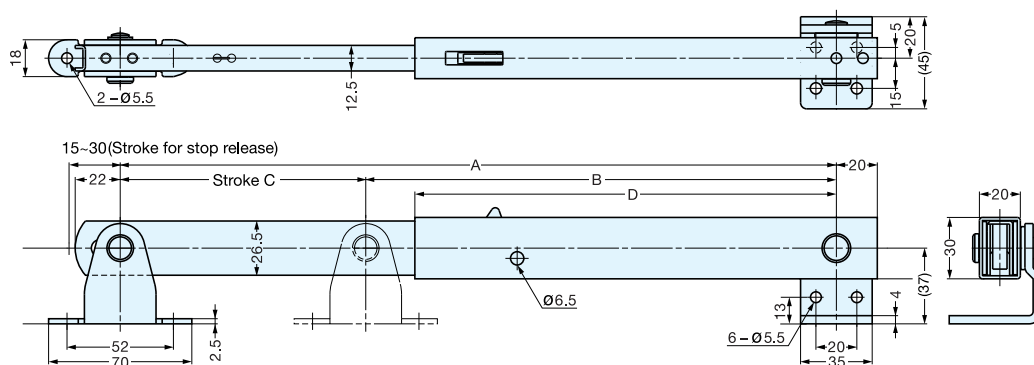
LOAD CAPACITY
70 kg
154 lbs

NO SCREW

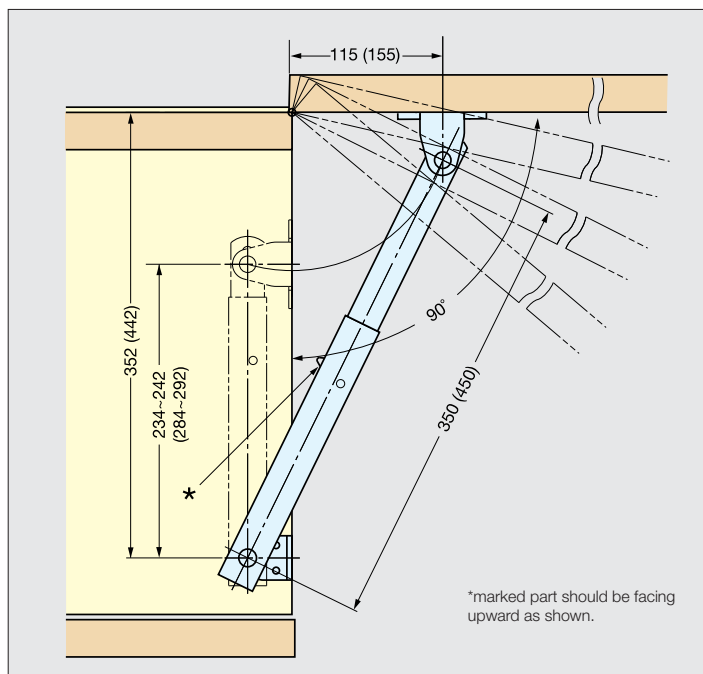
STAINLESS
304
STEEL

LBTS

- Ratchet stay holds lid at multiple angles.
- Only one stay per lid required.



Above drawing shows LBTS left-hand mounting.



Measurements above in () are for LBTS-450.
*Lid stay must be installed parallel to the sidewall.

Item No.		(A)	B	C	D	Stop Positions	Load Capacity (kg)	Weight (g)	Box (pcs)	Carton (pcs)
Left	Right									
LBTS-350L	LBTS-350R	350 (13-25/32")	230 (9-1/16")	120 (4-23/32")	206 (8-7/64")	4	70 (154 lbs)	715	5	20
LBTS-450L	LBTS-450R	450 (17-25/32")	280 (11-1/32")	170 (6-11/16")	256 (10-5/64")	6		820		