

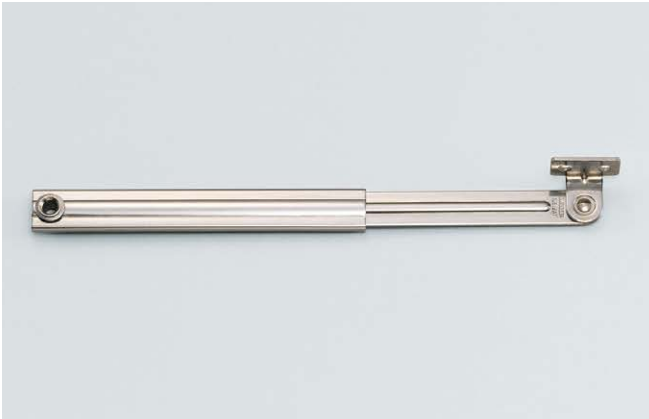
LOW PROFILE LID STAY

TEST METHOD 16

L=R

STAINLESS 304 STEEL

L-200P



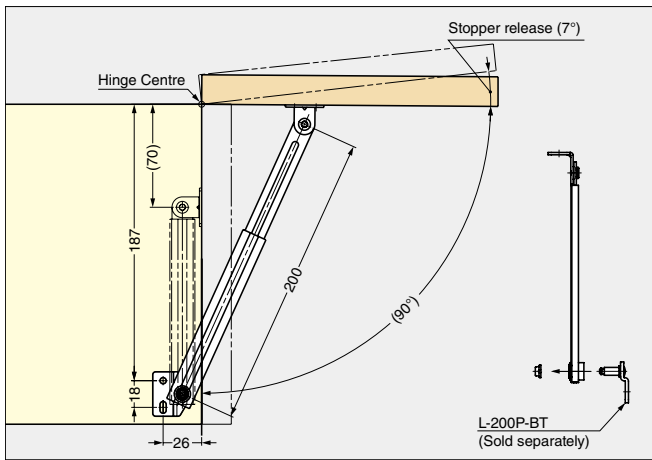
Features

- Door flap locks in opened position. To release, push door flap into fully opened position.
- When closed, the extendible section of the arm is stored inside the body, allowing the cabinet interior to be used effectively.
- Small, compact profile can be installed in narrow spaces.
- Can be used with door flaps like those used on different pieces of equipment.

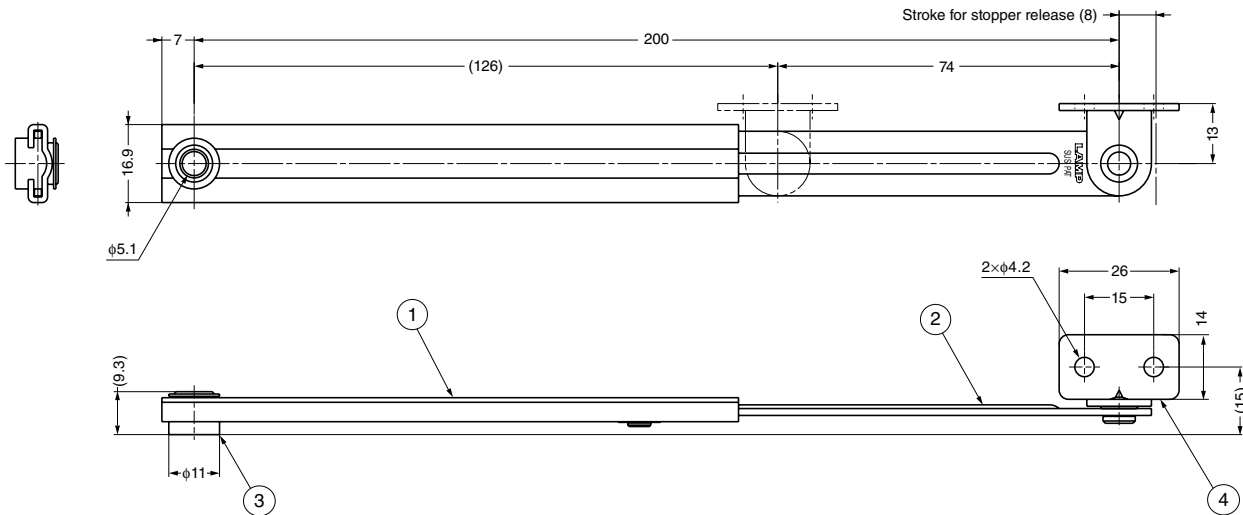
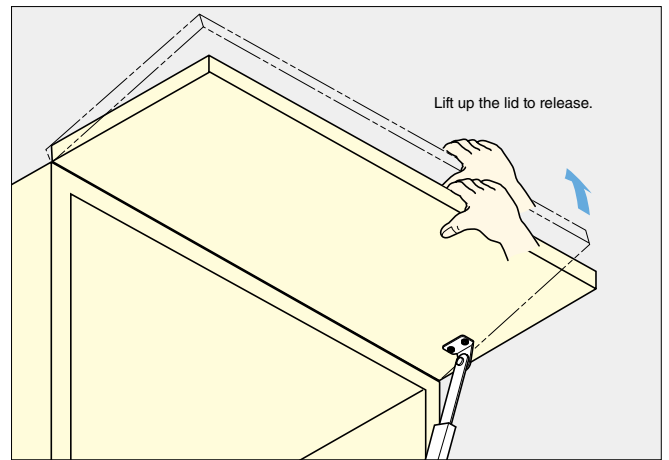
Sold Separately

Mounting bracket L-200P-BT (P.543)

Installation



Stopper Release



No.	Part Name	Material	Finish
①	Body	Stainless Steel (SUS304)	Polished
②	Arm	Stainless Steel (SUS304)	Polished
③	Case Bracket	Stainless Steel (SUS304)	-
④	Arm Bracket	Stainless Steel (SUS304)	Polished

Item Code	Item Name	Load Capacity	Weight	Box	Carton
180-100-104	L-200P	147 N/pc 15 kgf/pc	68 g	30 pcs	300 pcs

