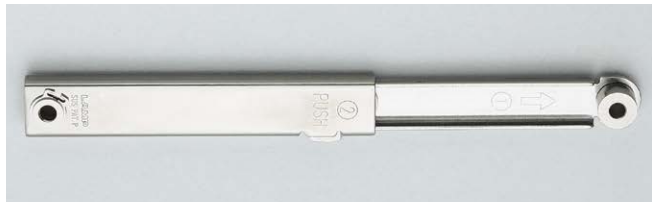


MINI LID STAY (W/ LOCK)



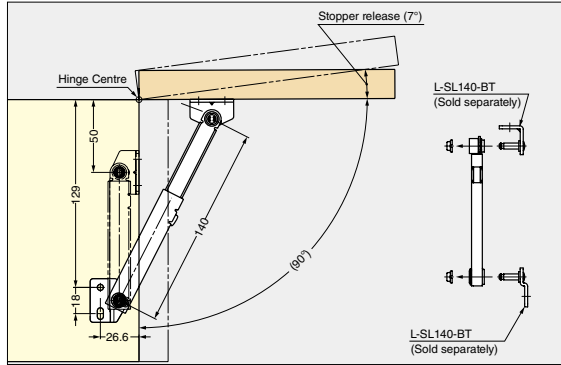
L-SL140



Features

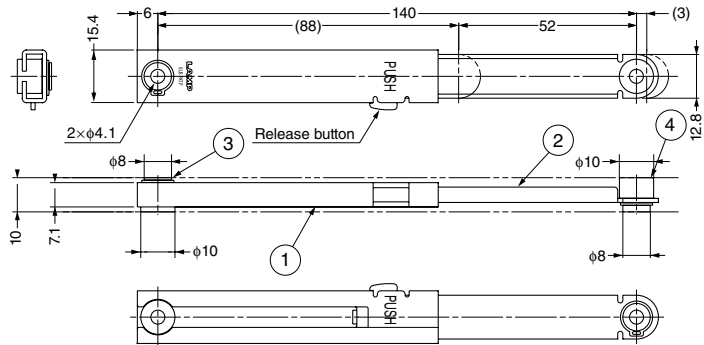
- Door flap locks in opened position. To release, push door flap into fully opened position and then press lock release. (Safety lock feature).
- When closed, the extendible section of the arm is stored inside the body, allowing the cabinet interior to be used effectively.
- Has same length as L-140S
- Small, compact profile can be installed in narrow spaces
- Can be used with smaller door flaps including those used on smaller pieces of equipment.

Installation



Sold Separately

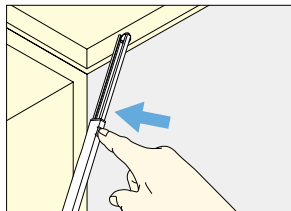
Mounting bracket L-SL140-BT (P.543)



No.	Part Name	Material	Finish
①	Body	Stainless Steel (SUS304)	Polished
②	Arm	Stainless Steel (SUS304)	Polished
③	Case Bracket	Stainless Steel (SUS304)	-
④	Arm Bracket	Stainless Steel (SUS304)	-

Item Code	Item Name	Load Capacity	Weight	Box	Carton
180-109-354	L-SL140	147 N/pc 15 kgf/pc	51 g	30 pcs	300 pcs

Lock Release



MINI LID STAY (W/ LOCK)



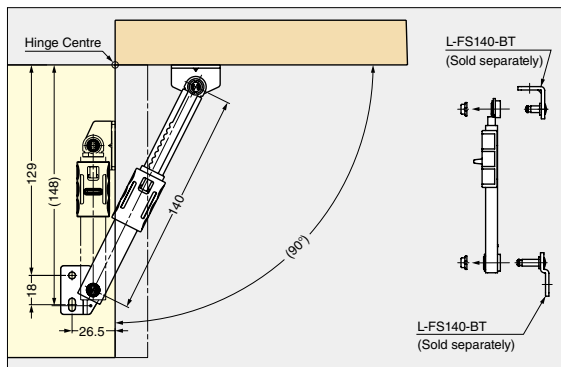
L-FS140



Features

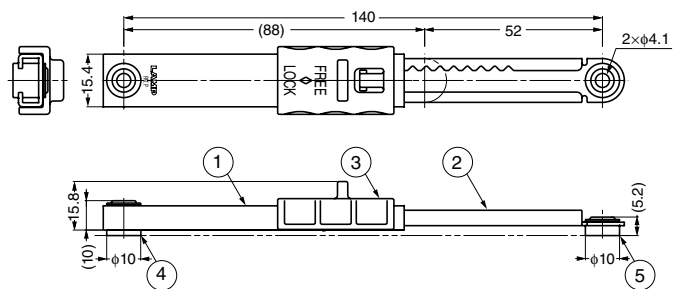
- Door flap can be locked at multiple angles. By sliding the arm to the desired length, the stay will lock in place.
- When closed, the extendible section of the arm is stored inside the body, allowing the cabinet interior to be used effectively.
- Has same length as L-140S
- Possible to separate the resin and metal components.

Installation



Sold Separately

Mounting bracket L-FS140-BT (P.543)



No.	Part Name	Material	Finish/Colour
①	Body	Stainless Steel (SUS304)	Polished
②	Arm	Stainless Steel (SUS304)	Polished
③	Lock Lever	Polyacetal (POM)	Dark Grey
④	Case Bracket	Stainless Steel (SUS304)	-
⑤	Arm Bracket	Stainless Steel (SUS304)	-

Item Code	Item Name	Load Capacity	Weight	Box	Carton
180-100-108	L-FS140	58.8 N/pc 6 kgf/pc	50 g	20 pcs	200 pcs

Lock and Release

