

ULTRA MINI LID STAY



L-100S, L-140S



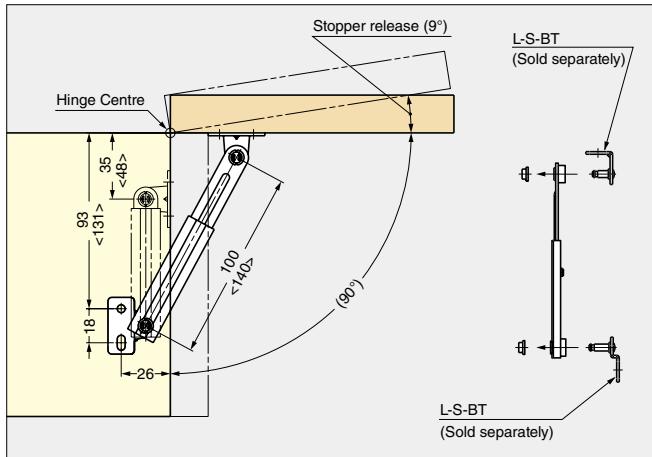
Features

- Door flap locks in opened position. To release, push door flap into fully opened position.
- When closed, the extendible section of the arm is stored inside the body, allowing the cabinet interior to be used effectively.
- Small, compact profile can be installed in narrow spaces
- Can be used with smaller door flaps including those used on smaller pieces of equipment.

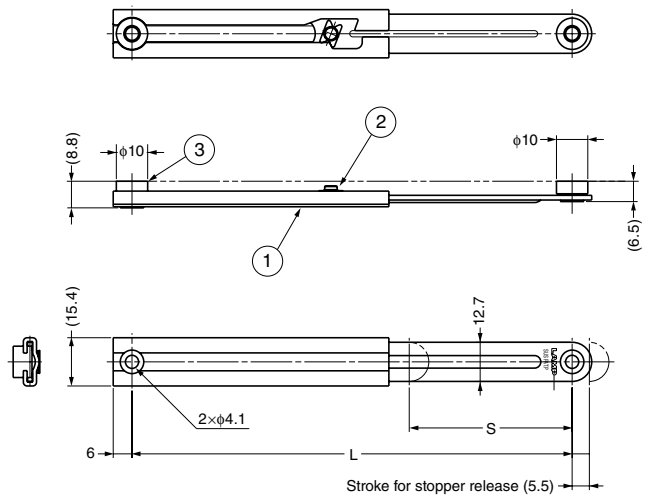
Sold Separately

Mounting bracket L-S-BT (below)

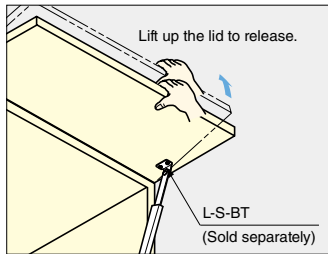
Installation



< >: L-140S



Stopper Release

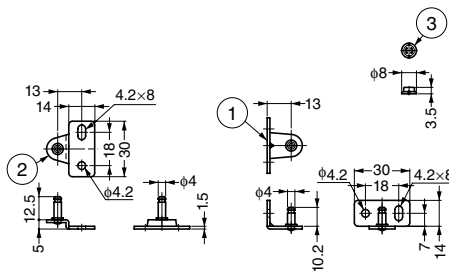


No.	Part Name	Material	Finish
①	Body	Stainless Steel (SUS304)	Polished
②	Washer	Polyamide (PA)	-
③	Case Bracket	Stainless Steel (SUS304)	-

Item Code	Item Name	Load Capacity	L	S	Weight	Box	Carton
180-109-118	L-100S	58.8 N/pc 6 kgf/pc	100	32	31 g	30 pcs	300 pcs
180-100-105	L-140S	58.8 N/pc 6 kgf/pc	140	52	38 g	30 pcs	300 pcs

MOUNTING BRACKET

L-S-BT



Features

- Optional brackets for L-100S and L-140S stays (above).
- Brackets for arm and case sold as set.

Remarks

Do not re-use the bracket. Plastic bushing may become loose once taken off from stay.

No.	Part Name	Material	Finish/Colour
①	Arm Bracket	Stainless Steel (SUS304)	Polished
②	Case Bracket	Stainless Steel (SUS304)	Polished
③	Cap	Polyacetal (POM)	White

Item Code	Item Name	Weight	Box	Carton
180-100-620	L-S-BT	17 g	40 sets	400 sets

