

### LID STAY (W/ CATCH)

S-21



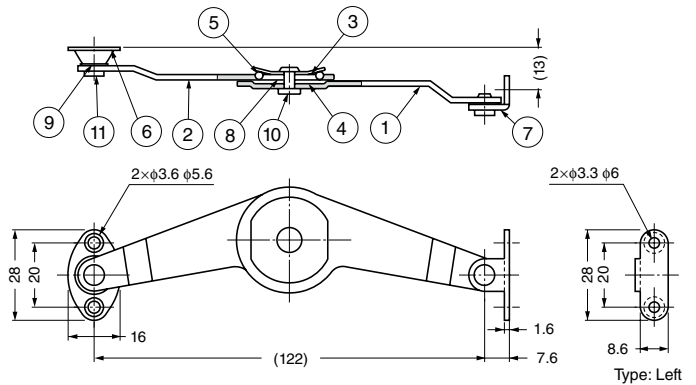
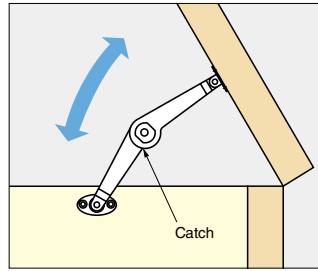
Type: Left

No.	Part Name	Material	Finish
①	Body A	Steel	Chrome
②	Body B	Steel	Chrome
③	Spring A	Steel	-
④	Spring B	Steel	-
⑤	Balls	Steel	-
⑥	Mounting Plate	Steel	Chrome
⑦	Bracket	Steel	Chrome
⑧	Washer	Steel	Yellow Zinc Chromate
⑨	Washer	Polyamide (PA)	Natural
⑩	Center Axis	Brass	Chrome
⑪	Axis	Brass	Chrome

**Features**

With catch.

**Installation (Left Side)**



Type: Left

Item Code	Item Name	Type	Tension Force	Weight	Box	Carton
180-100-140	S-21R	Right	309 N (31.5 kgf)	49 g	50 pcs	500 pcs
180-100-141	S-21L	Left		49 g	50 pcs	500 pcs

### LID STAY (W/ CATCH)

S-23



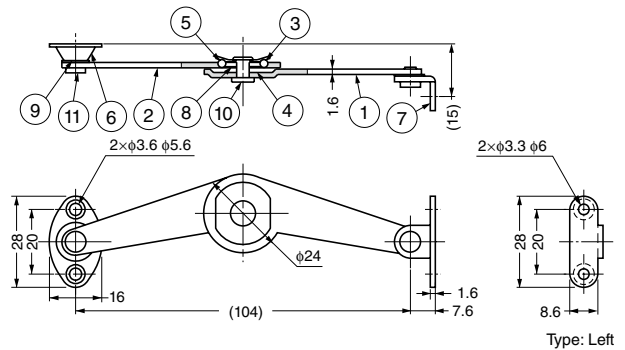
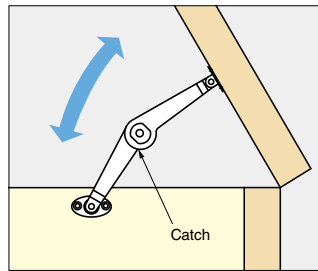
Type: Left

No.	Part Name	Material	Finish
①	Body A	Steel	Chrome
②	Body B	Steel	Chrome
③	Spring A	Stainless Steel (SUS301)	-
④	Spring B	Stainless Steel (SUS301)	-
⑤	Balls	Steel	-
⑥	Mounting Plate	Steel	Chrome
⑦	Bracket	Steel	Chrome
⑧	Washer	Steel	Yellow Zinc Chromate
⑨	Washer	Polyamide (PA)	-
⑩	Center Axis	Brass	Chrome
⑪	Axis	Brass	Chrome

**Features**

With catch.

**Installation (Left Side)**



Type: Left

Item Code	Item Name	Type	Tension Force	Weight	Box	Carton
180-100-142	S-23R	Right	298 N (30.4 kgf)	33 g	50 pcs	500 pcs
180-100-143	S-23L	Left		33 g	50 pcs	500 pcs