



HBFN

HORIZONTAL BI-FOLDING UNIT

LID SUPPORTS

HORIZONTAL BI-FOLDING UNIT



Features

- Unique bi-fold door mechanism
- For upward-opening flap doors.
- Holds position in fully opened and closed positions.
- Soft-close function: slows down closing speed to prevent slamming
- Arm length adjustable for various door sizes.
- No tracks or guides required.
- Handle can be installed at the bottom of the flap.

Remarks

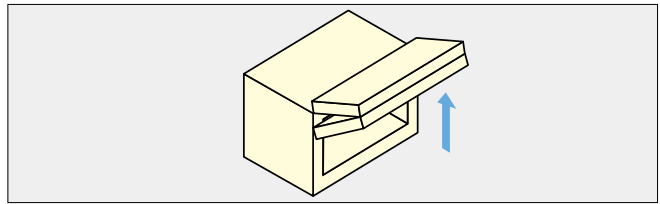
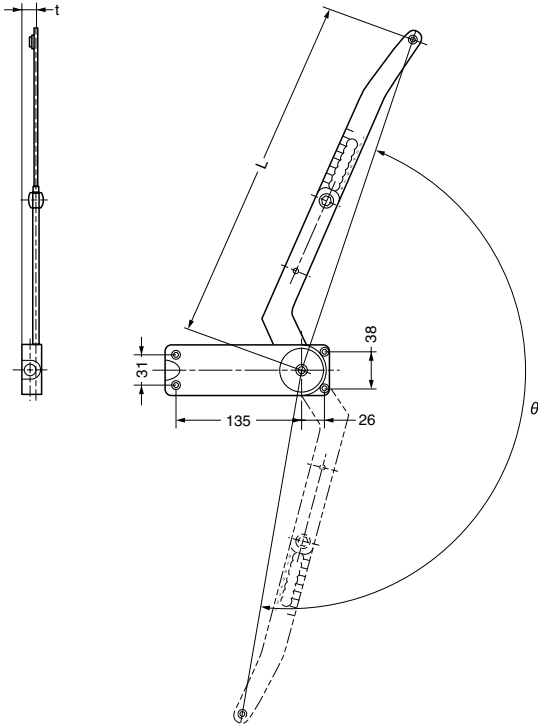
1 set of arm mounting plate necessary for 1 set of HBFN.

Sold Separately

Mounting plate HBFN-SZ (P.501)

Parts Included

- Offset hinge HBFN-CH (2 pcs)
- Binding head tapping screw 3.5×15



Offset Hinge (2 pcs/set)

Additional hinges necessary for doors of width over 600 mm.

Item Code	Item Name	Material	Finish	Weight	Box
180-099-941	HBFN-CH	Steel	Nickel	65 g	200 pcs

Material	Finish/Colour
ABS/Steel	Nickel/Light Grey

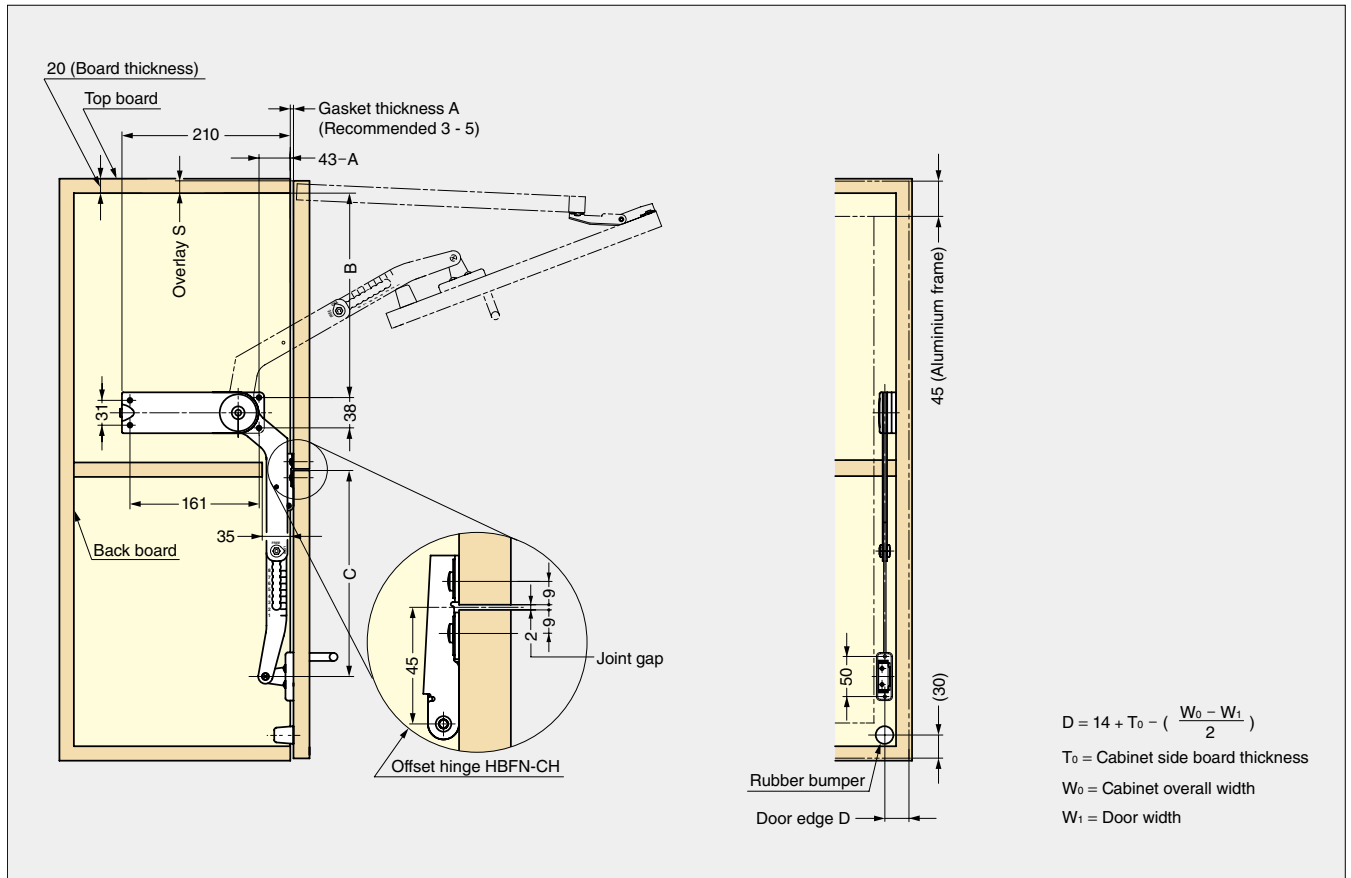
Body (1 set)

*These figures below are only for 1 door. 2 doors are necessary for 1 cabinet.

Item Code	Item Name	Door Width	Door Height	Door Thickness	Door Weight	θ	L	t	Weight	Carton
180-109-615	HBFN-2M	450 - 900	320 - 370	17 - 20	2.5 - 3.5 kg	171°	299 - 363	14	1.5 kg	10 sets
180-109-616	HBFN-3M	450 - 900	320 - 370	17 - 20	3.5 - 4.5 kg	171°	299 - 363	14	1.5 kg	10 sets
180-109-617	HBFN-4M	450 - 900	320 - 370	17 - 20	4.5 - 5.5 kg	171°	299 - 363	14	1.6 kg	10 sets



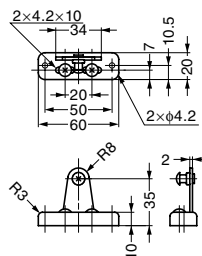
Installation



Installation Dimensions

Door Height	Upper Door Opening Angle 90°			Upper Door Opening Angle 105°		
	Arm Adjustment Position	B	C	Arm Adjustment Position	B	C
320	1	247-S	241	4	226-S	244
330	2	252-S	244	5	234-S	250
340	3	258-S	248	6	243-S	257
350	4	263-S	251	7	251-S	263
360	5	269-S	255	8	259-S	269
370	6	274-S	258	9	267-S	275

ARM MOUNTING PLATE FOR HBFN



Features

Sold in pairs.

Item Code	Item Name	Application	Material	Finish	Weight	Box
180-109-618	HBFN-SZ	For Wood Door/Aluminium Frame more than 45 mm	Steel/Rubber	Nickel	44 g	100 pairs