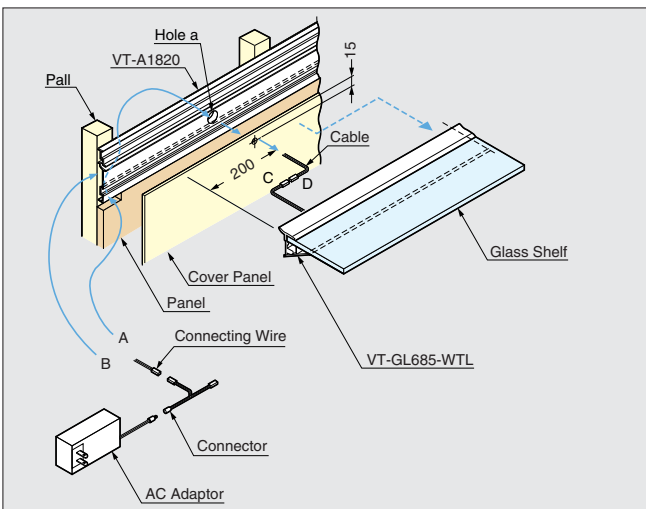


GLASS SHELF SYSTEM (WITH LED)

VT-GL685-WT

SHELVING SYSTEM

GLASS SHELF SYSTEM



- LED color - white
- Glass shelf is not included
- For details, please ask for Customer Service
- Please see page 478 for part details

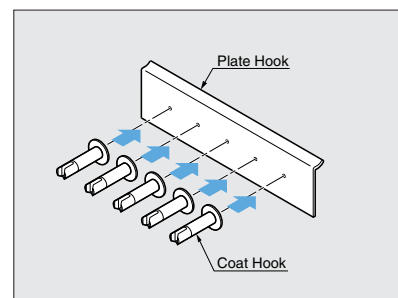
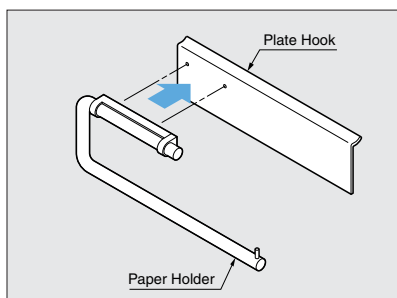
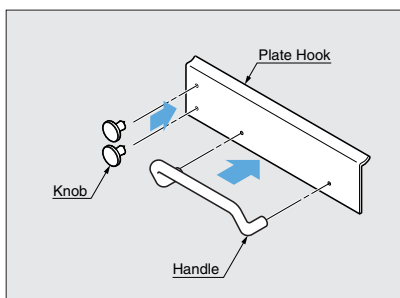
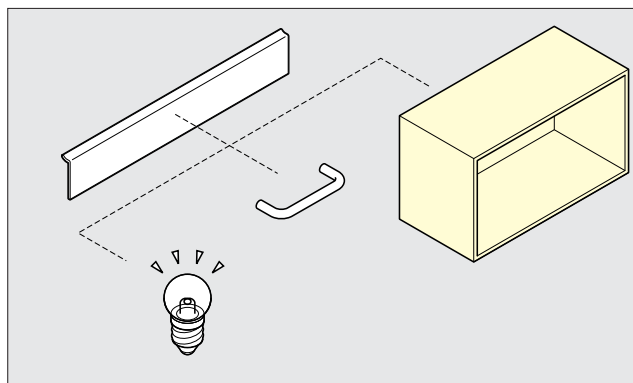
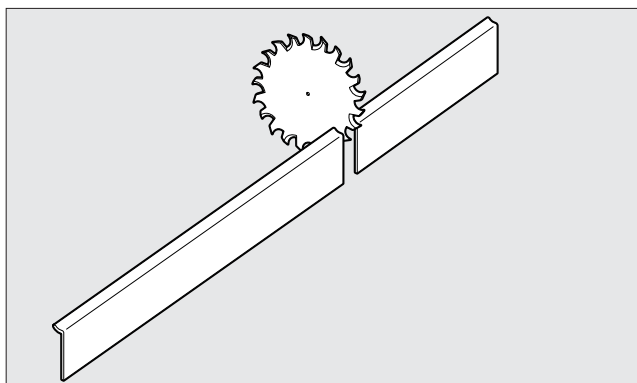
\* Caution  
Variation in visual equivalence of LED white light is possible.

Item No.	Type	Material	Finish
		Aluminum	Anodized
VT-GL685-WTL	Left Wiring	10	1
VT-GL685-WTR	Right Wiring		

PLATE HOOK

VT-J2000

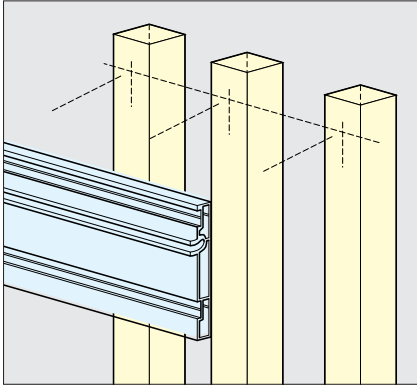
Application Examples



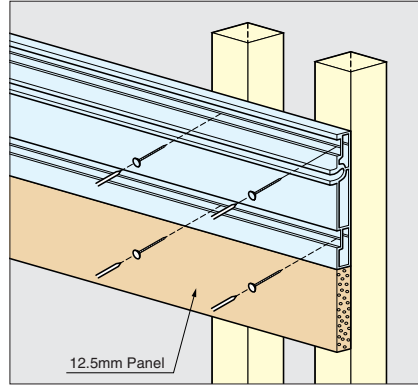
Please see page 478 for part details.

SHELVING SYSTEM

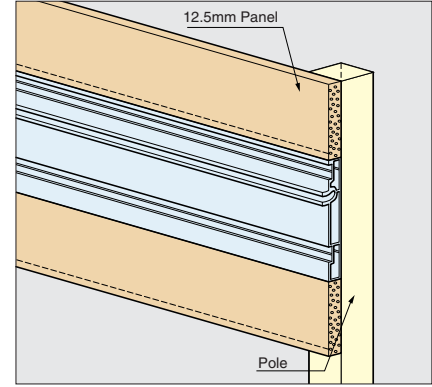
GLASS SHELF SYSTEM



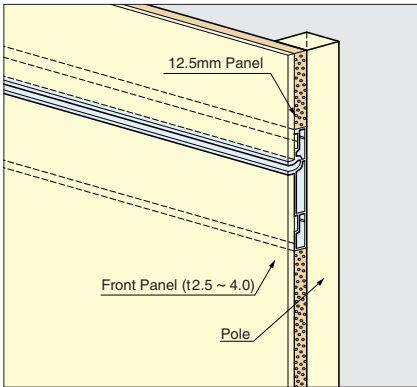
1. Decide application position. Make sure to place horizontally



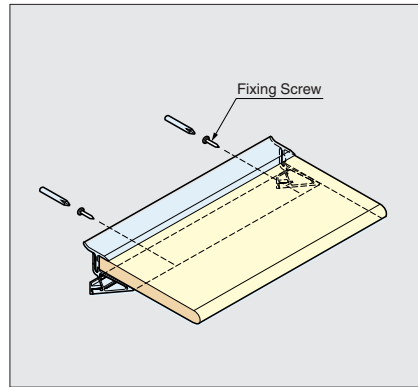
2. Please apply an extra panel (12.5mm) below the rail. Please screw the board in place.



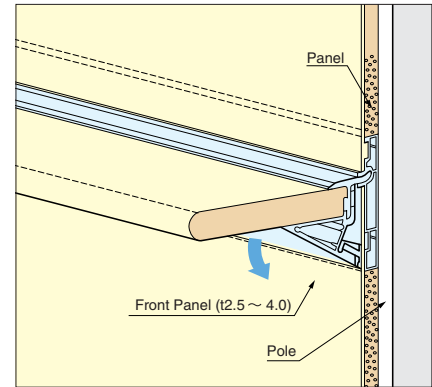
3. Next please apply a second panel (12.5mm) above the rail.



4. Conceal rail, panels with 2.5 ~ 4.0mm board.

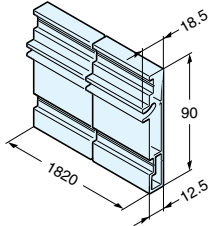
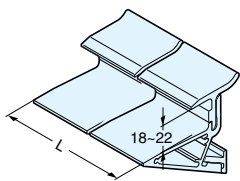


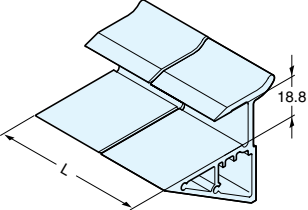
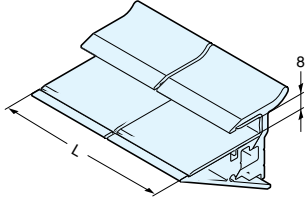
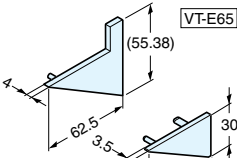
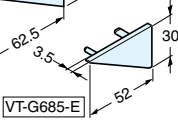
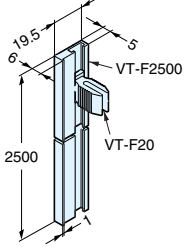
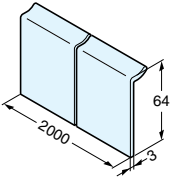
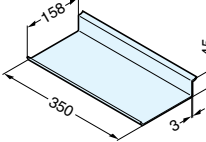
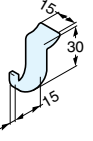
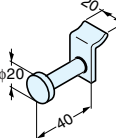
5. Attach shelf and shelf holder with screws as shown in the above picture.



6. Please slant the shelf board into the rail slot and drop down once the board is horizontal.

## Part Details

No.	Item No.	Part Name	Dimensions	Material/Finish	Length (mm)	Panel Thickness (mm)	Load Capacity (kg)	Box (pcs)
①	VT-A1820	Slotted Panel Bracket		Aluminum Alloy/ Anodized	1820	-	-	1
②	VT-X450	Shelf Bracket for Wood			442	18 ~ 22	40	10
③	VT-X800				792			1

No.	Item No.	Part Name	Dimensions	Material/Finish	Length (mm)	Panel thickness (mm)	Load Capacity (kg)
④	VT-18-X450	Bracket for Wood shelf 18mm		Aluminum Alloy/ Anodized	442	18	10
⑤	VT-18-X800				792	18	10
⑥	VT-G450	Bracket for Glass shelf 8mm			443	8	10
⑦	VT-G685				678	8	10
⑧	VT-G890				883	8	10
⑨	VT-GL685-WTL				Bracket for Glass shelf with LED (left wiring)	678	8
⑩	VT-GL685-WTR			Bracket for Glass shelf with LED (right wiring)	678	8	10
			* End cap (VT-E65) is included.				
⑪	VT-E65	End cap (left/right set)		ABS resin/grey finish	-	-	-
⑫	VT-G685-E	End cap (left/right set)		ABS resin/grey finish	-	-	-
⑬	VT-F2500	End parts		Aluminum Alloy/ Anodized	2500	-	-
⑭	VT-F20	End connector		Polyester/Natural	-	-	-
⑮	VT-J2000	Plate Hook		Aluminum Alloy/ Anodized	2000	-	40
⑯	VT-K350	Tray			350	-	10
⑰	VT-H15	Hook A			-	-	5
⑱	VT-H20	Hook B			-	-	5