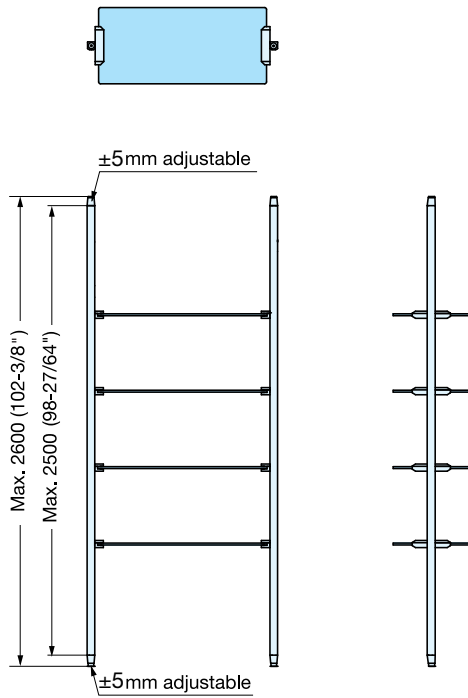


UNIT SHELF TYPE "C"

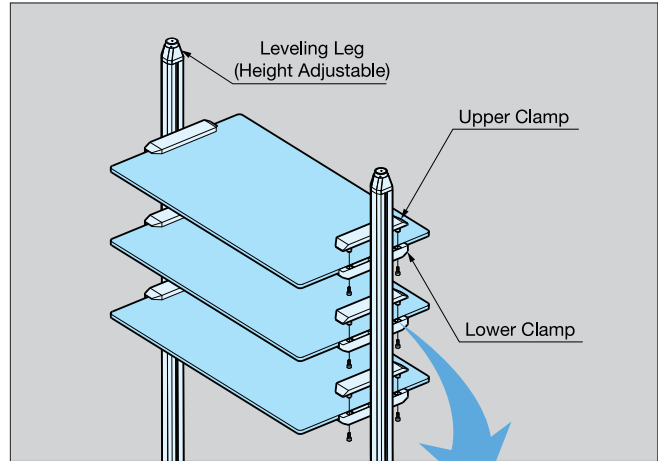
XLA-US02C

SHELVING SYSTEM

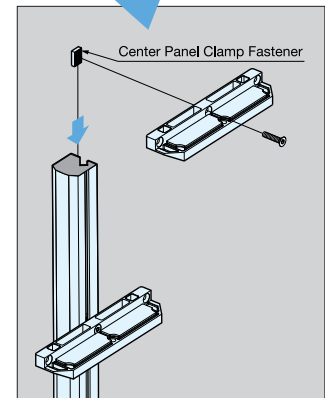
UNIT SHELF



Glass Shelf Installation



* Insert clamp fasteners before mounting leveling legs.



Glass Thickness	8 or 10mm
Overall Height	Max. 2600mm (102-3/8")
Glass Width	Max. 1200mm (47-1/4") (Glass Thickness 8mm)
	Max. 1500mm (59-3/64") (Glass Thickness 10mm)
Glass Depth	200-450mm (7-7/8" ~ 17-23/32")
Load Capacity	Max. 35kg (77lbs) / Shelf

* For glass shelf clamp with LED, glass thickness is 10mm only

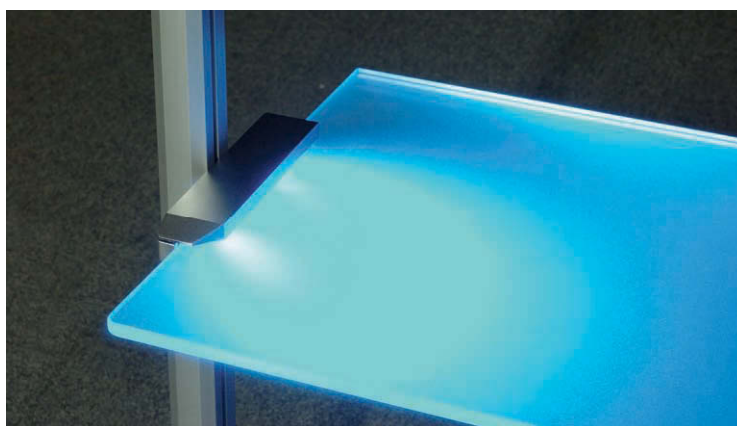
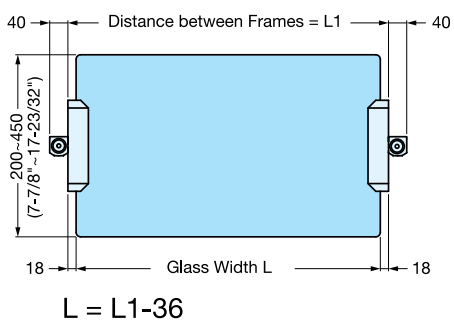
Application Example



SHELVING SYSTEM

UNIT SHELF

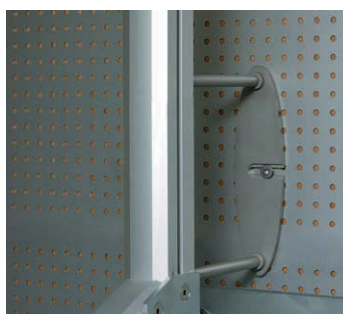
Glass Shelf Dimensions



LED bracket (optional) provides alternative lighting to the shelf space.
* XL-US01-S200L



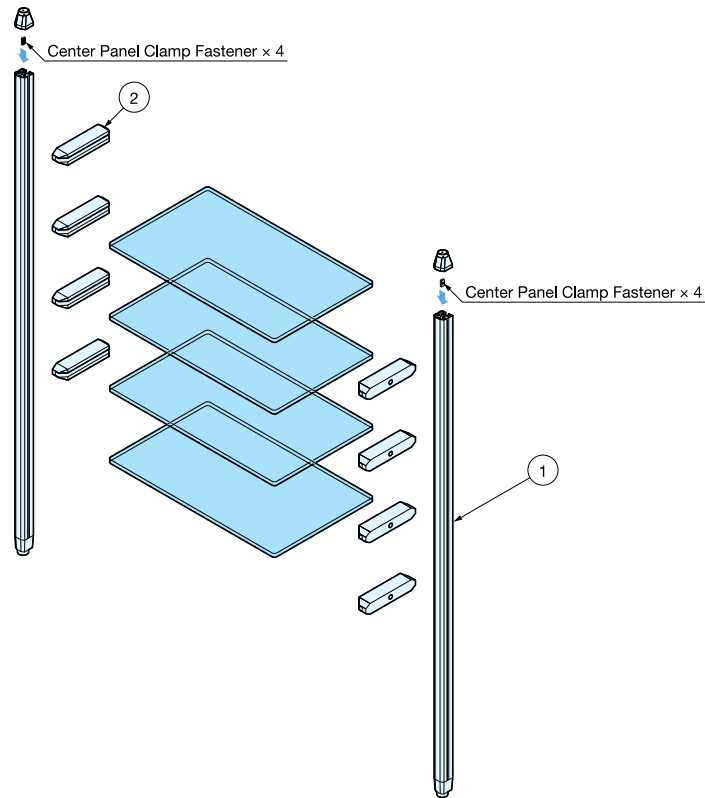
Glass shelf clamp can be installed directly on wall.
(Access from back side needed for installing)



Please see P.468 for frame installation above.



Detailed View

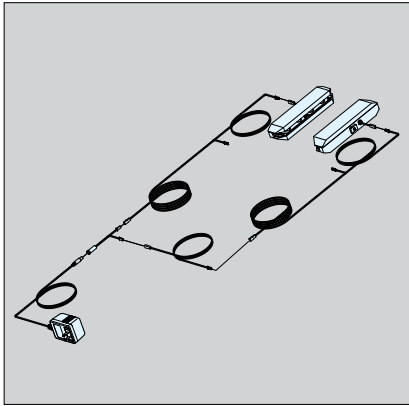


Type "C" Part Details

No.	Item No.	Part Name	Dimensions	Description
①	XLA-US02-S007	Vertical Frame (2 Slot Type)		<ul style="list-style-type: none"> ● Material Aluminum, Zinc Alloy ● Finish / Color Anodized, Grey ● Length Max. Height: 2600mm (102-3/8") (Floor to Ceiling) <p>*2 leveling legs included per frame *Single slotted frame available Please see XL-US02-S006 on page 461 for details</p>
②	XL-US01-S200	Shelf Clamp (For Glass Shelf)		<ul style="list-style-type: none"> ● Material Zinc Alloy, Elastomer ● Finish / Color Matte Chrome, Black ● Glass Thickness 8mm, 10mm <p>*2 Clamps necessary for 1 Shelf *Glass Shelf not included</p>
③	XL-US01-S200L-B (Blue) XL-US01-S200L-C (Cyan)	Shelf Clamp (With LED, For Glass Shelf)		<ul style="list-style-type: none"> ● Material Zinc Alloy, Elastomer ● Finish / Color Matte Chrome, Black ● LED Color Blue, Cyan ● Applicable Glass Thickness 10mm only <p>* Glass Shelf not included * Power Adapter not included * Recommended Adapter Output: DC9V 0.8A, Plug: 2.1 x 5.5mm (+), 1 Shelf per Adapter</p>

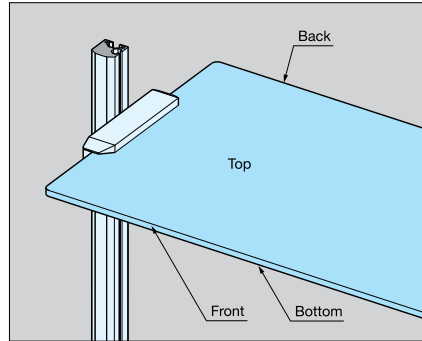
When using LED

Shelf Support with LED (wiring)

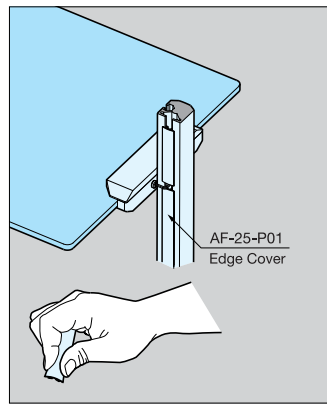


Power Adapter (not included) can be connected to 2 shelf supports with LED

Glass Processing



- Sandblasting on top, bottom, front and back edge of glass when using LED type clamp, will provide the "glow" look. Glass edge attached to clamp should be polished
- Ultra clear glass recommended
- Recommended glass size: Max. W800mm x D450mm



AF-25-P01 covers and keeps wires inside frame slot

Type "C" Optional Part Overview Please see P.469~470 for details

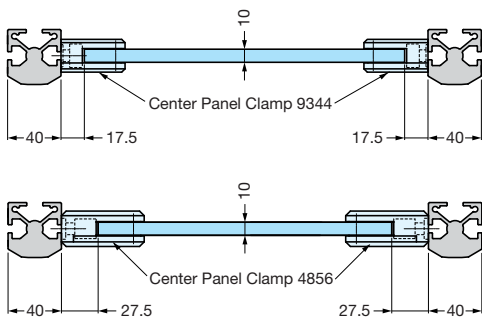
Part Name	Shelf Support (For Wood Shelf)	Shelf Edge (For Wood Shelf)	Shelf Support for Glass (Angle Adjustable)	Shelf Edge (For Glass Shelf)	Edge Cover
Item No.	XL-US02-S002	XL-US02-S014	XL-US02-S003	XL-US02-S015	AF-25-P01-25
Part Name	Center Panel Clamp	Center Panel Clamp	Center Panel Clamp Fastener	Wall Mounting Bracket	Wall Mounting Bracket
Item No.	9344VA2	4856ZN1, 4856ZN5	XL-US02-S012	XL-US02-S008	XL-US02-S009
Please see P.467~P.468 for application example.					

Application Example

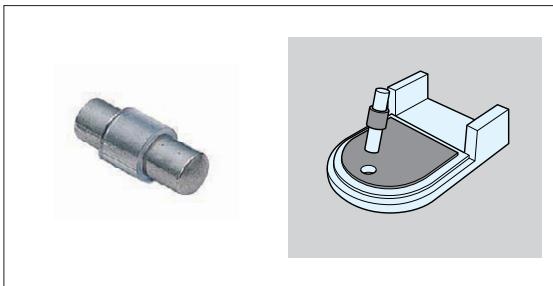


Wire kit and halogen lamp are not provided

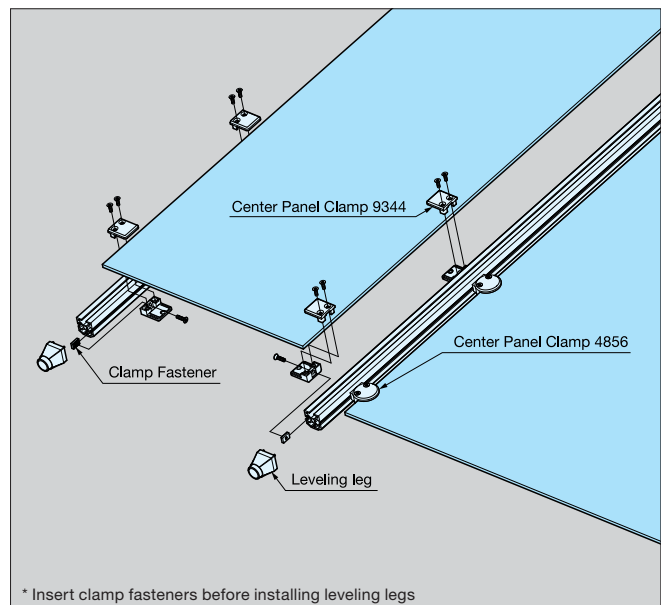
Installation with Center Panel Clamp



Safety Pin (Optional)

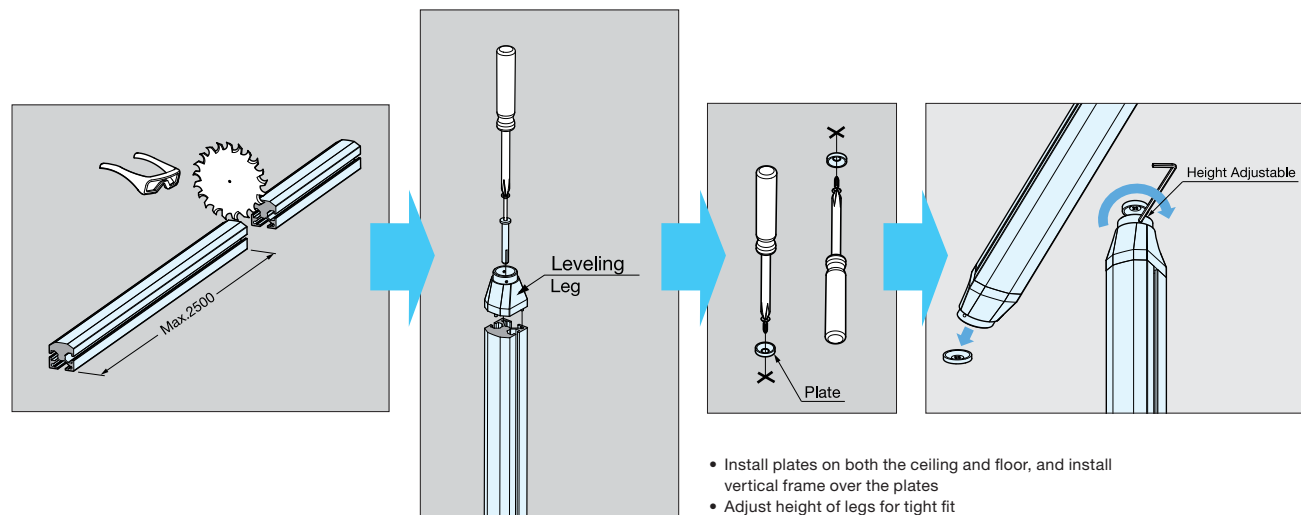


* Prevents glass from slipping out from clamp.

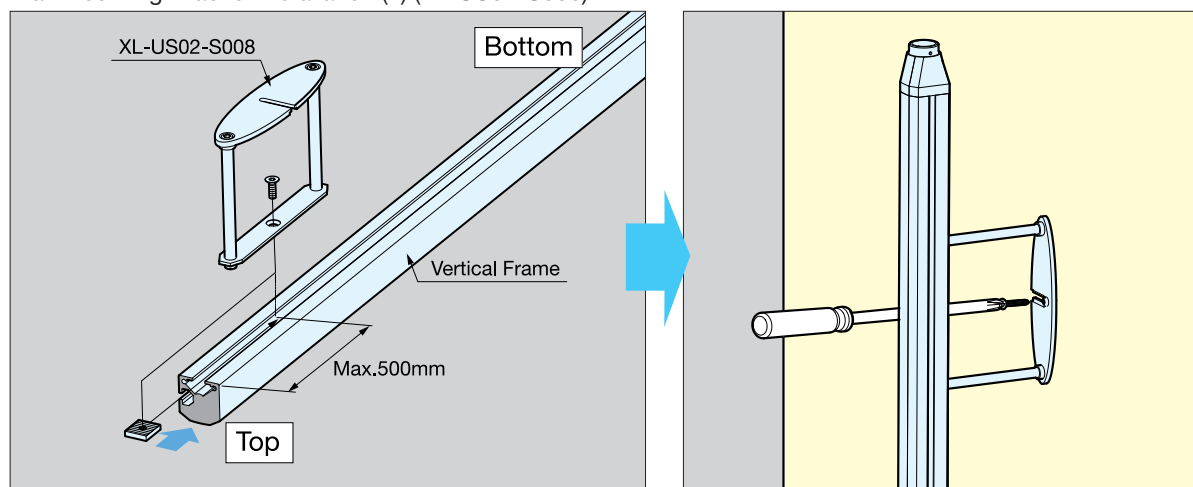


INSTALLATION (TYPE B/C)

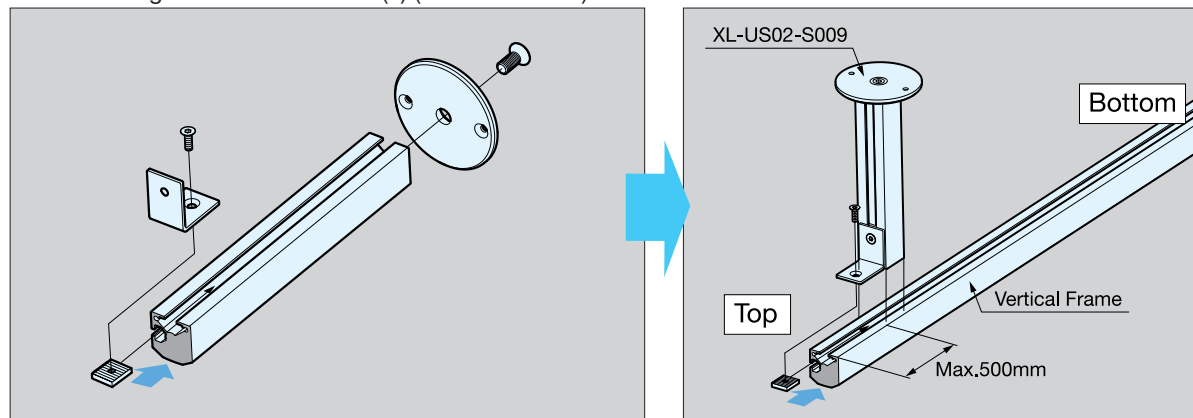
Vertical Frame Installation (For top/bottom pressure fit)



Wall Mounting Bracket Installation (1) (XL-US02-S008)


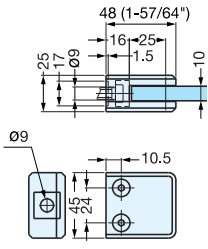

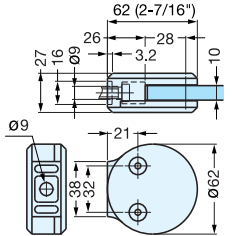

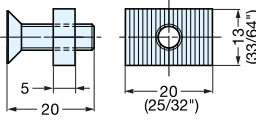

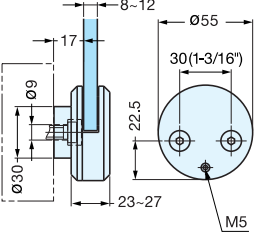

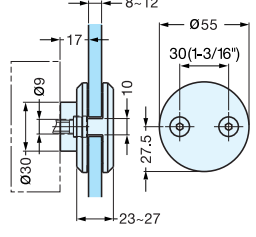

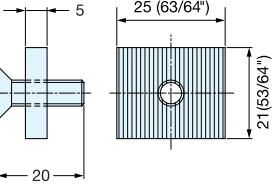

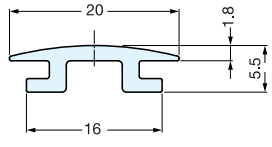


Wall Mounting Bracket Installation (2) (XL-US02-S009)



Optional Part Details (Type B / C)

No.	Item No.	Part Name		Dimensions	Description
①	XL-US02-S010	Wall Mounting Plate (For Type B)			<ul style="list-style-type: none"> ● Material Aluminum ● Finish / Color Anodized *To be used with Main Frame (1 Slot Type) *For Type B
②	XL-US02-S008	Wall Mounting Bracket			<ul style="list-style-type: none"> ● Material 304 Stainless Steel, Steel ● Finish / Color Grey
③	XL-US02-S009	Wall Mounting Bracket			<ul style="list-style-type: none"> ● Material Aluminum ● Finish / Color Anodized
④	XL-US02-S002	Shelf Support (For Wood Shelf)			<ul style="list-style-type: none"> ● Material 304 Stainless Steel ● Finish / Color Plain *Shelf not included *For Type C
⑤	XL-US02-S003	Shelf Support for Glass (Angle Adjustable)			<ul style="list-style-type: none"> ● Material 304 Stainless Steel ● Finish / Color Polished, Plain ● Glass Thickness 10mm *Angle adjustable each 30 degrees *Glass not included *For Type C *Pre-drilled holes (countersunk) required on glass *Please order special wrench Z058 for installation
⑥	XL-US02-S014	Shelf Edge (For Wood Shelf)			<ul style="list-style-type: none"> ● Material Aluminum ● Finish / Color Anodized *Prevents items falling off from shelves *For wood shelf *To be mounted on side edge *For Type C
⑦	XL-US02-S015	Shelf Edge (For Glass Shelf)			<ul style="list-style-type: none"> ● Material Aluminum, Zinc Alloy ● Finish / Color Anodized, Matte Chrome *Prevent items from falling off *For glass shelf *To be mounted on front or back edge *For Type C

No.	Item No.	Part Name		Dimensions	Description
⑧	9344VA2	Center Panel Clamp			<ul style="list-style-type: none"> ● Material 316 Stainless Steel ● Finish / Color Satin ● Panel Thickness 10mm <p>*Holds panel between Main Frames</p>
⑨	4856ZN1, 4856ZN5	Center Panel Clamp			<ul style="list-style-type: none"> ● Material Zinc Alloy ● Finish / Color Matte Chrome (ZN1) Chrome (ZN5) ● Panel Thickness 10mm <p>*Holds panel between Main Frames</p>
⑩	XL-US02-S012	Center Panel Clamp Fastener			<ul style="list-style-type: none"> ● Material 304 Stainless Steel ● Finish / Color Plain <p>*Nut / Bolt to fasten Center Panel Clamp and Main Frame</p>
⑪	4860ZN1, 4860ZN5	Back Panel Clamp			<ul style="list-style-type: none"> ● Material Zinc Alloy ● Finish / Color Matte Chrome (ZN1) Chrome (ZN5) ● Panel Thickness 8-12mm <p>*Holds panel between Main Frames</p>
⑫	4866ZN1, 4866ZN5	Back Panel Clamp			<ul style="list-style-type: none"> ● Material Zinc Alloy ● Finish / Color Matte Chrome (ZN1) Chrome (ZN5) ● Panel Thickness 8-12mm <p>*Holds panel between Main Frames (2 Slot Type)</p>
⑬	XL-US02-S013	Back Panel Clamp Fastener			<ul style="list-style-type: none"> ● Material 304 Stainless Steel ● Finish / Color Plain <p>*Nut / Bolt to fasten Back Panel Clamp and Main Frame</p>
⑭	AF-25-P01-25	Edge Cover			<ul style="list-style-type: none"> ● Material Synthetic Rubber ● Finish / Color Light Grey ● Length 2500mm (98-27/64")