

# TOGGLER® PICTURE HOOK ANCHORS

## The unique TOGGLER Speciality anchor with BUILT-IN picture hook....

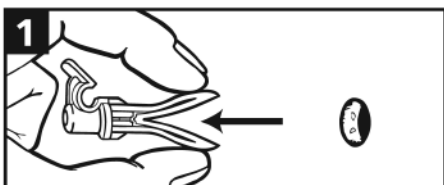
Based on the original TOGGLER Hollow Wall Anchor and incorporating all of the key benefits such as vibration-proof anchoring of light to medium loads in hollow walls, providing a secure hold even when they encounter an unexpected solid, and key-activated positive locking *before* inserting the screw; however, the **TOGGLER Picture Hook Anchors** benefit from a **built-in picture hook**, making them the perfect choice for hanging pictures, clocks and cabling with **NO NEED for additional fixtures!**

Choose the TOGGLER Picture Hook Anchor when you require fast installation for light loads. For heavy loads use TOGGLER SNAPTOGGLE® toggle bolts for the highest hollow-wall holding strength.

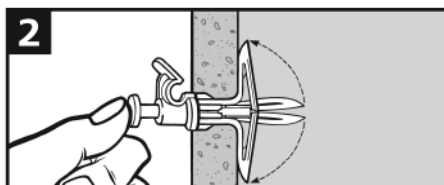
## Benefits:

- **Built-in Picture Hook**—NO NEED for additional fixtures
- **Strong** over-centre load bearing truss—reinforces the wall & leads the load away from the hole
- **Vibration & shock proof**—won't damage walls/ceilings
- Use a screw gun—anti-rotation fins **prevent spinning**
- **Greatest grip range** for a picture hook
- Accepts a **great range of screw sizes**
- **Installs in only a small 8mm hole**
- Pre-install **without the screw**—Key-activated **positive** locking system
- Screw can be **removed and reinserted** in same anchor without loss of holding power
- **Corrosion-proof** when used with stainless steel screws

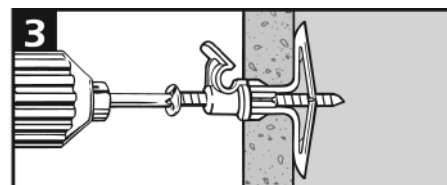
## Installation



1 Drill 8mm diameter hole. Fold anchor in middle. Insert anchor in hole and tap flush.



2 Insert key to pop anchor open behind hollow wall (not necessary for thick or solid walls). **Do not hammer key.** Remove key.



3 Insert screw and tighten until flush with hook head—then stop. **Do not overtighten.**

## Specifications

**Material** — Specially formulated grade of **self-lubricating, translucent** polypropylene that blends into wall colour & texture

**Non-conductive** (Dielectric constant  $2.30 \times 10^6 \text{Hz}$ ), allowing safe anchoring of electrical apparatus

**Non-corrodible** (safely used with stainless steel screws in corrosive environments)

**Toughness with elasticity**, even at temperature extremes in the range from **-28°C to 100°C**

Low friction, self-lubricating — **facilitates screw insertion**

**Screw specification** — Use any sheet metal screw or other screw from 3.5-6.0mm diameter with a minimum 38mm thread length

**Grip Range** — 9.5-13mm

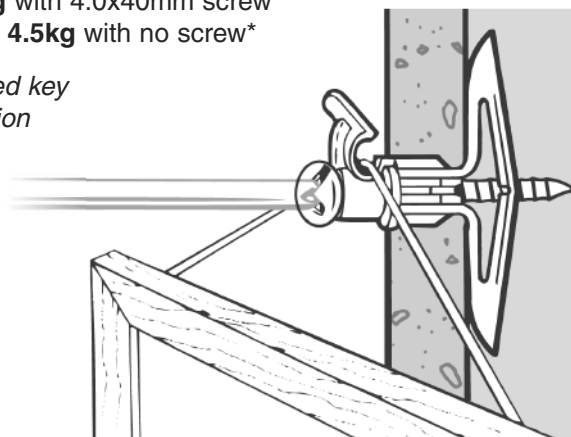


Use the red [TK] setting key for setting TH anchors in hollow walls within their grip range.

**Behind the wall clearance for operation** — 19mm

**Holding Load Values** — 18kg with 4.0x40mm screw  
max 4.5kg with no screw\*

\*when toggled with the supplied key into a fully open, locked position



**Grip Range**  
**9.5 to 13mm**

- **Vibration-proof & shock-proof**
- **Won't destroy or damage walls**