

Herkules 120

Sliding door system for room dividers

Max. door weight 120kg. Min door thickness 22mm

Features

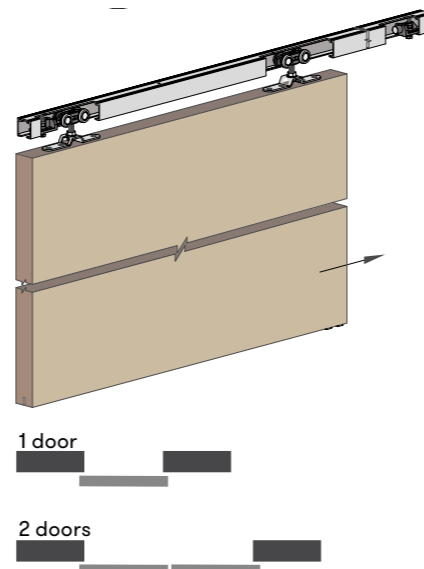
Herkules 120 is a heavy duty sliding door system for use with single room dividing doors. It is ideal for wooden or MDF doors with a weight up to 120kg. The system is suitable for domestic or medium commercial applications. Runs on wheels on ball bearings to ensure smooth and quiet action.

Options available: Symmetric Kit, Silent Stopper

- Strong aluminium top track with pre-drilled holes for easy installation
- Track can be ceiling/soffit mounted or wall hung (with optional wall brackets)
- Strong hangers with wheels on ball bearings for longer life and extra smooth and quiet running
- Clear polycarbonate bottom guide - almost invisible when installed
- Range of options including wall brackets, spacers and pelmets
- Extra Door Kit (without track) available for additional door
- Tested to over 100,000 cycles



Scan to watch installation video



Code	System Type	Door Type	Door Material	Number of Doors Hung	Max Individual Door Weight (kg)	Door Thickness (mm)	Track Length (mm)
SD/HS1212	Sliding	Room Divider	Wood/Laminate	1	120	min 22mm	1200
SD/HS1215	Sliding	Room Divider	Wood/Laminate	1	120	min 22mm	1500
SD/HS1218	Sliding	Room Divider	Wood/Laminate	1	120	min 22mm	1800
SD/HS1220	Sliding	Room Divider	Wood/Laminate	1	120	min 22mm	2000
SD/HS1224	Sliding	Room Divider	Wood/Laminate	1	120	min 22mm	2400
SD/HS1230	Sliding	Room Divider	Wood/Laminate	1	120	min 22mm	3000
SD/HS-120GR	Sliding	Room Divider	Wood/Laminate	1	120	min 22mm	Extra door kit, no track

Kit Contains



Herkules Glass

Sliding door system for room dividers

Max. door weight 100kg. Door thickness 8-12mm

Features

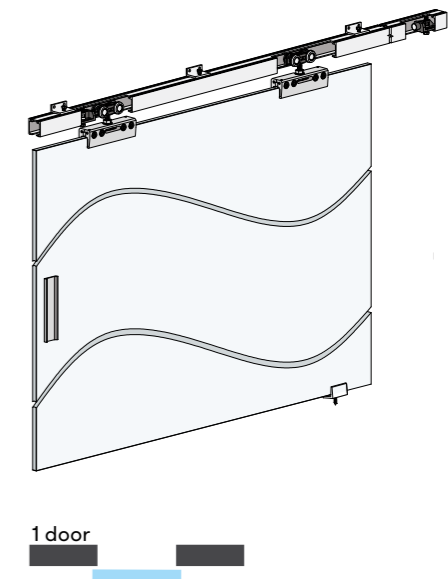
Herkules Glass is a sliding door system for use with single room dividing doors. It is ideal for glass doors with a weight up to 100kg. The system runs on wheels on ball bearings attached to glass clamps. The innovative clamping system ensures no drilling or cutting of glass is necessary, making installation very easy. Herkules Glass can be used on domestic or light commercial room dividers and screens.

Options available: Symmetric Kit, Silent Stopper

- Small one piece glass clamp is easy to install and adjust
- No need to cut or drill glass
- Strong aluminium top track with pre-drilled holes for easy installation
- Track can be ceiling/soffit mounted or wall hung (wall brackets included)
- Strong hangers with wheels on ball bearings for long life and extra smooth and quiet running
- Clear polycarbonate bottom guide - almost invisible when installed
- Tested to over 100,000 cycles



Scan to watch installation video



Code	System Type	Door Type	Door Material	Number of Doors Hung	Max Individual Door Weight (kg)	Door Thickness (mm)	Track Length (mm)
SD/HG200	Sliding	Room Divider	Glass	1	100	8-12mm	2000
SD/HG01	Sliding	Room Divider	Glass	1	100	8-12mm	Extra door kit, no track

Kit Contains

