

Jupiter

Sliding door system for room dividers

Max. door weight 30kg. Min door thickness 16mm

Features

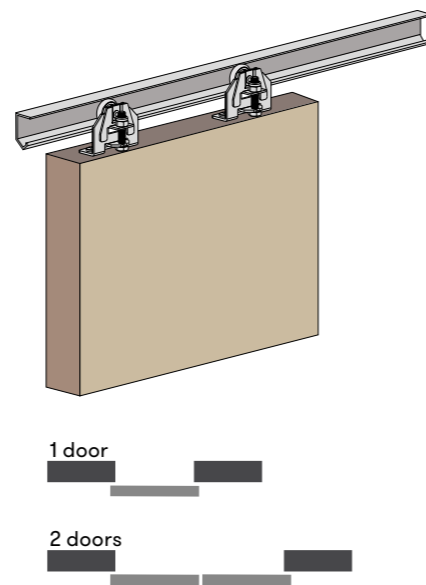
Jupiter is a top hung sliding door system for use with single room dividing doors. It is ideal for wooden or light panel doors with a weight up to 30kg.

The Jupiter system runs on adjustable edge hangers that are perfect for light applications.

- Strong aluminium top track with pre-drilled holes for easy installation
- Track can be cut to required length or joined to create longer systems
- Strong hangers with wheels on ball bearings for longer life and smooth and quiet running
- Clear polycarbonate bottom guide - almost invisible when installed
- Extra Door Kit (without track) available for additional door

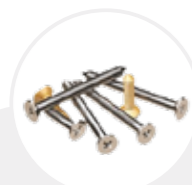


Scan to watch installation video



Code	System Type	Door Type	Door Material	Number of Doors Hung	Max Individual Door Weight (kg)	Door Thickness (mm)	Track Length (mm)
SD/JU12	Sliding	Room Divider	Wood/Laminate	1	30	min 16mm	1200
SD/JU15	Sliding	Room Divider	Wood/Laminate	1	30	min 16mm	1500
SD/JU18	Sliding	Room Divider	Wood/Laminate	1	30	min 16mm	1800
SD/JU20	Sliding	Room Divider	Wood/Laminate	1	30	min 16mm	2000
SD/JU24	Sliding	Room Divider	Wood/Laminate	1	30	min 16mm	2400
SD/JU01	Sliding	Room Divider	Wood/Laminate	1	30	min 16mm	Extra door kit, no track

Kit Contains



Screws



Clip Stopper



Universal Bottom Guide



Wheel Set



Aluminium Track

Herkules 60

Sliding door system for room dividers

Max. door weight 60kg. Min door thickness 16mm

Features

Herkules 60 is a sliding door system for use with single room dividing doors. It is ideal for heavier duty wooden or MDF doors with a weight of up to 60kg.

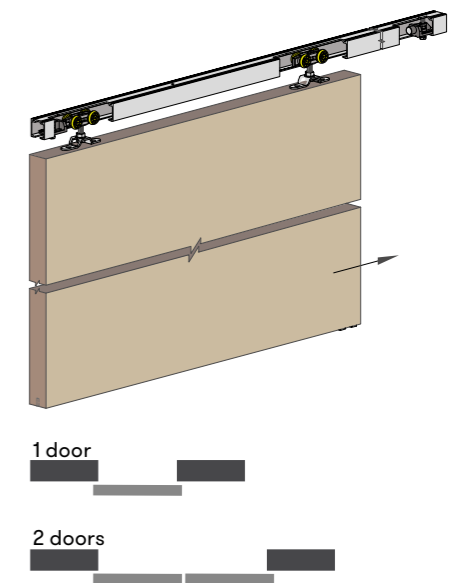
The Herkules 60 set is perfect for domestic or light commercial applications. The system runs on wheels on needle bearings for a long-lasting smooth running of doors.

Options available: Symmetric Kit, Silent Stopper

- Strong aluminium top track with pre-drilled holes for easy installation
- Track can be ceiling/soffit mounted or wall hung (with optional wall brackets)
- Strong hangers with wheels on needle bearings for longer life and smooth and quiet running
- Clear polycarbonate bottom guide - almost invisible when installed
- Range of options including wall brackets, spacers and pelmets

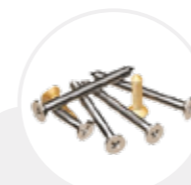


Scan to watch installation video



Code	System Type	Door Type	Door Material	Number of Doors Hung	Max Individual Door Weight (kg)	Door Thickness (mm)	Track Length (mm)
SD/HS6012	Sliding	Room Divider	Wood/Laminate	1	60	min 16mm	1200
SD/HS6015	Sliding	Room Divider	Wood/Laminate	1	60	min 16mm	1500
SD/HS6018	Sliding	Room Divider	Wood/Laminate	1	60	min 16mm	1800
SD/HS6020	Sliding	Room Divider	Wood/Laminate	1	60	min 16mm	2000
SD/HS6024	Sliding	Room Divider	Wood/Laminate	1	60	min 16mm	2400
SD/HS6030	Sliding	Room Divider	Wood/Laminate	1	60	min 16mm	3000
SD/HS60GR	Sliding	Room Divider	Wood/Laminate	1	60	min 16mm	Extra door kit, no track

Kit Contains



Screws



Hangers on Needle Bearings



Stopper



Click Stopper



Universal Bottom Guide



Aluminium Track