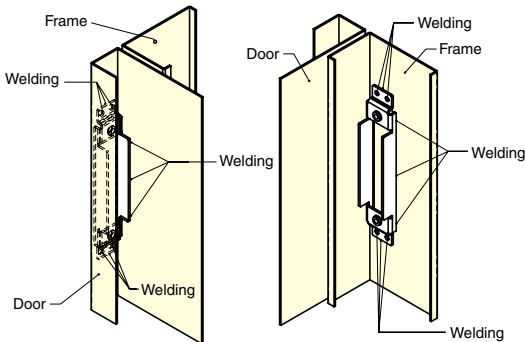
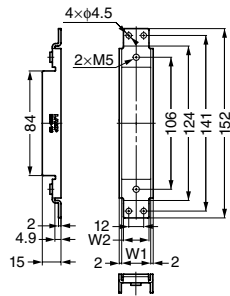


BRACKET OF HES3D-120 FOR SHEET METAL

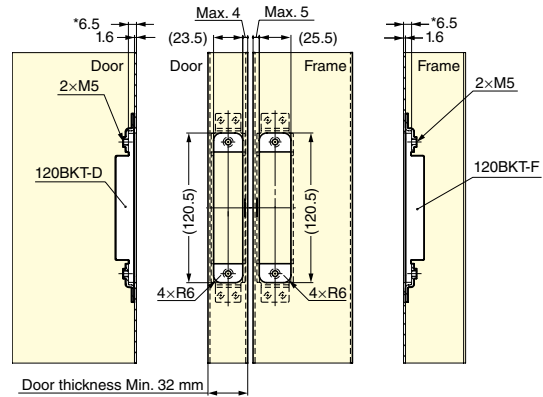
HES3D-120BKT



Features

Bracket to use HES3D-120 hinge (P.471) with sheet metal.

Installation

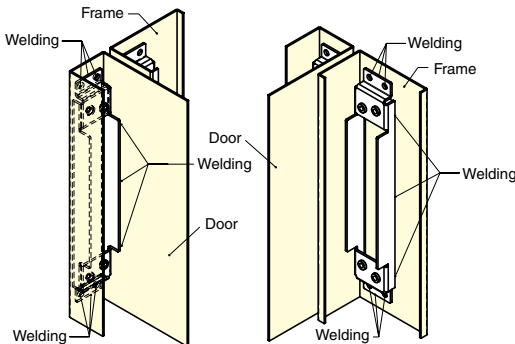
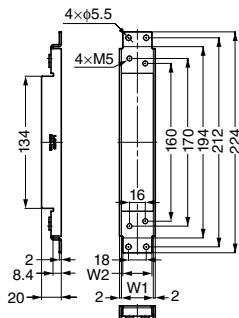


*Dimensions: For flat surface in case of 1.6 mm thick sheet metal.

Item Code	Item Name	Type	Material	Finish/Colour	W1	W2	Weight	Carton
170-032-739	HES3D-120BKT-D	For Door	Steel (SPCC)	Zinc Chromate	23.3	20.5	58 g	50 pcs
170-032-740	HES3D-120BKT-F	For Frame			25.3	22.5	58 g	50 pcs

BRACKET OF HES3D-E190 FOR SHEET METAL

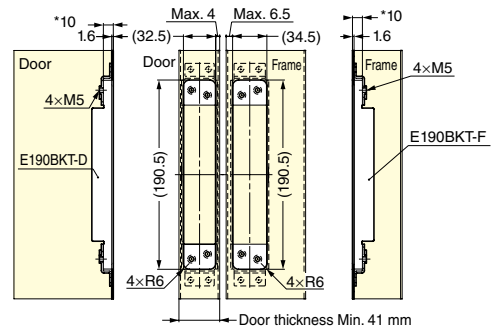
HES3D-E190BKT



Features

Bracket to use HES3D-E190 hinge (P.473) with sheet metal.

Installation



*Dimensions: For flat surface in case of 1.6 mm thick sheet metal.

Item Code	Item Name	Type	Material	Finish/Colour	W1	W2	Weight	Carton
170-032-741	HES3D-E190BKT-D	For Door	Steel (SPCC)	Zinc Chromate	32.3	29.5	135 g	50 pcs
170-032-742	HES3D-E190BKT-F	For Frame			34.3	31.5	135 g	50 pcs