

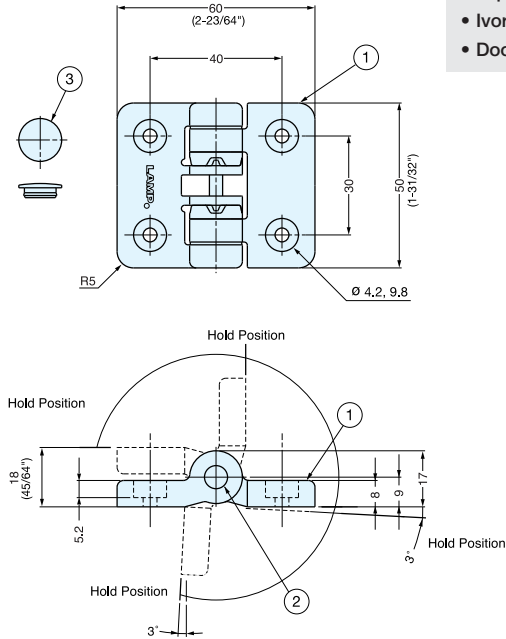
DETENT HINGE



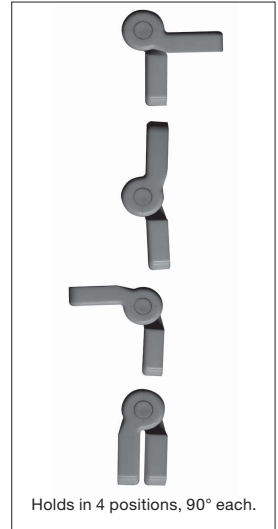
HG-YJ50



PAT



- Plastic hinge holds doors in 4 different positions (90° each) without secondary support.
- Ivory or Black available.
- Door weight: Max.1.2kg/ pair (2.6lbs/ pair)



Item No.	Weight (g)	Box (pcs)	Carton (pcs)
HG-YJ50/IV	30	20	200
HG-YJ50/BL			

No.	Part Name	Material	Color
①	Body	Polyacetal	Ivory/Black
②	Hinge Pin	303 Stainless Steel	Plain
③	Cap	Polypropylene	Ivory/Black

DETENT HINGE

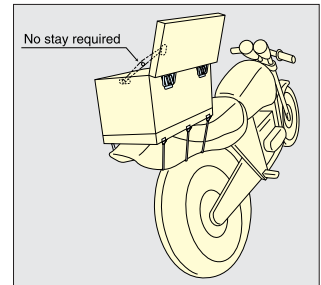
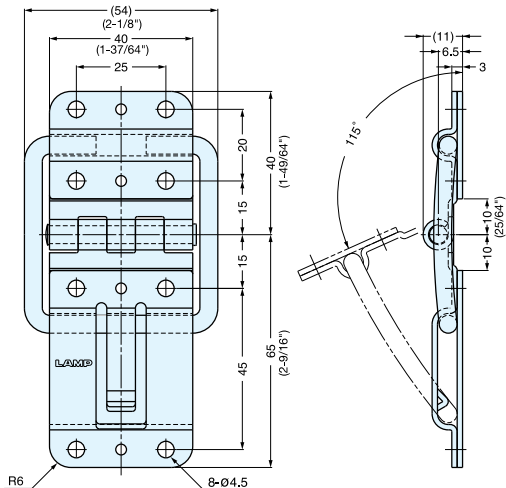


HG-YC105



PAT

- Snaps in at 115° open position.
- Holds doors open without secondary support.



Installation

Item No.	Weight (g)	Box (pcs)	Carton (pcs)
HG-YC105	122	10	100

Material	Finish
304 Stainless Steel	Polished