

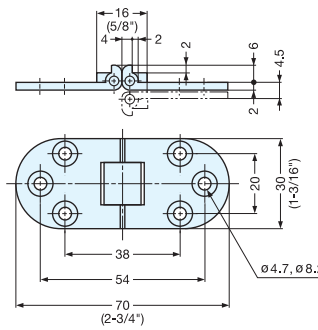
TABLETOP HINGE



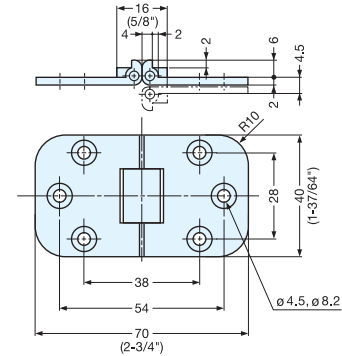
MH-30, 40

HINGES

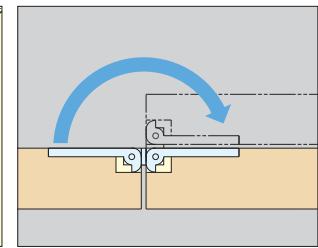
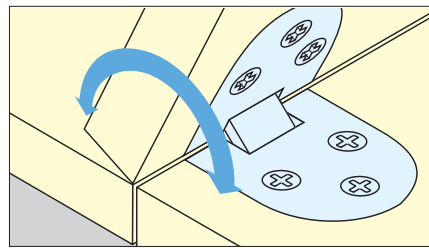
- Door Size: Max. W450 x H700 x t21mm (W17-23/32" x H27-9/16" x t53/64")
- Door Weight: Max. 4kg/pair (8.8 lbs/pair)
- Double pivot hinge with 180° opening.



MH-30



MH-40



Please specify the finish when ordering.

Item No.	Weight (g)	Box (pcs)	Carton (pcs)
MH-30	45	24	360
MH-40	64	16	240

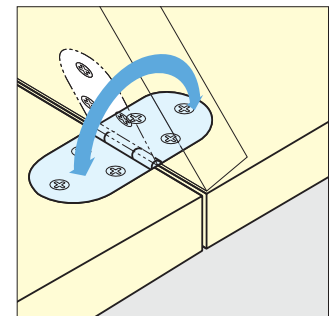
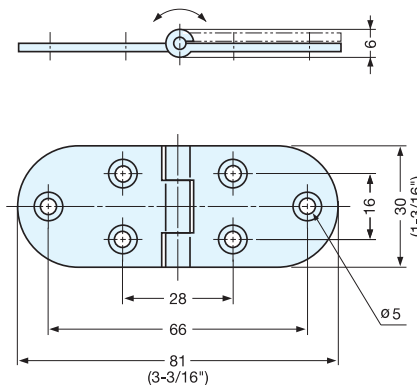
Material	Finish
Brass	Polished Brass (PB)
	Satin Nickel (SN)
	Chrome (CR)

TABLETOP HINGE



MH-83

- Door Size: Max. W450 x H700 x t21mm (W17-23/32" x H27-9/16" x t53/64")
- Door Weight: Max. 4kg/pair (8.8 lbs/pair)
- Double pivot hinge with 180° opening.



Installation

Item No.	Thickness	Weight (g)	Box (pcs)	Carton (pcs)	Material	Finish
MH-83/S	1.5	28	100	1000	304 Stainless Steel	Satin (S)
MH-83/CR	1.6	31			Steel	Chrome (CR)

TABLETOP HINGES