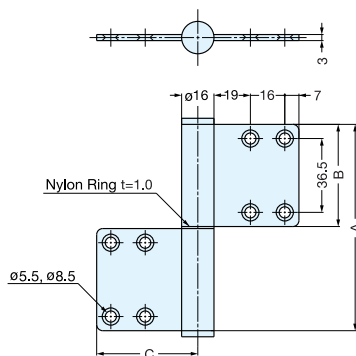
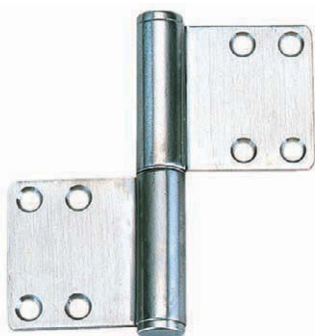


LIFT-OFF HINGE



S-6173-2



- Screw holes are countersunk from both sides.
- Non-handed
- Door weight: Max. 40kg/pair (88lbs/pair)

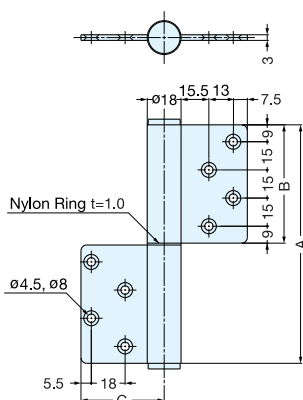
Material	Finish
304 Stainless Steel	Satin

Item No.	A	B	C	Weight (g)	Box (pcs)	Carton (pcs)
S-6173-2	102 (4-1/64")	50.5 (1-63/64")	50 (1-31/32")	240	12	60

LIFT-OFF HINGE



S-6173-5



- Screw holes are countersunk from both sides.
- Non-handed
- Door weight: Max. 50kg/pair (110lbs/pair)

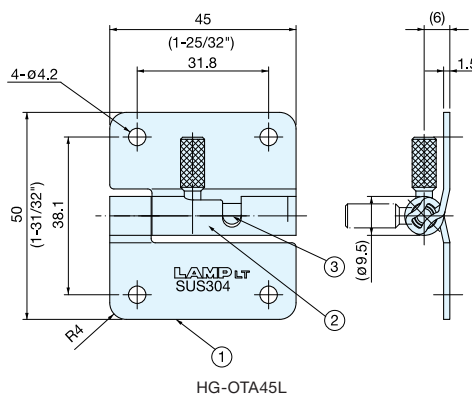
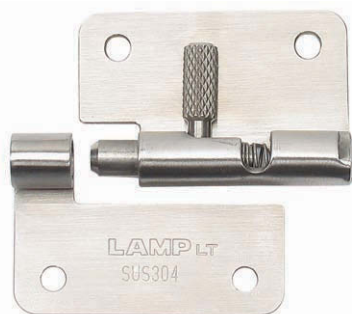
Material	Finish
304 Stainless Steel	Satin

Item No.	A	B	C	Weight (g)	Box (pcs)	Carton (pcs)
S-6173-5	127 (5")	63 (2-31/64")	45 (1-25/32")	330	8	40

QUICK RELEASE HINGE



HG-OT



- Easy and quick to install/remove doors.
- With or without holes available.
- Left and Right handed available.

Item No.		Holes	Weight (g)	Box (pcs)	Carton (pcs)	No.	Part Name	Material	Finish
Left	Right					①	Plate		
HG-OTA 45L	HG-OTA 45R	With screw holes	40	30	-	②	Spring	304 Stainless Steel	Satin
HG-OTB 45L	HG-OTB 45R	Without screw holes				③	Hinge Pin		