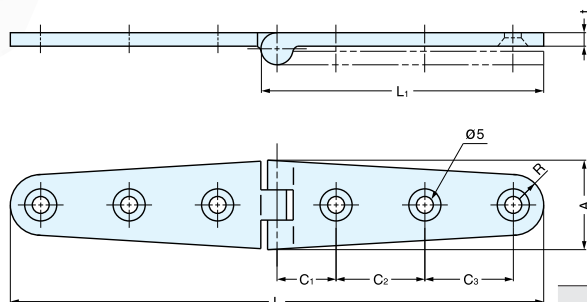
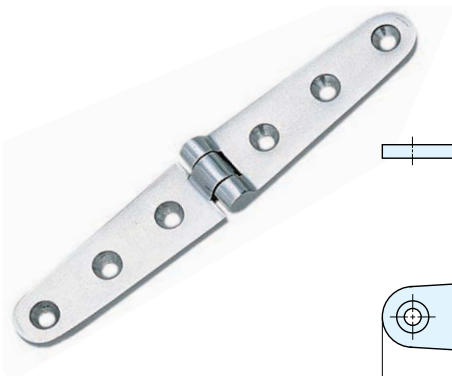


# LEAF HINGE



50704, 50706

- 316 Stainless Steel construction ideal for exposed application.
- Door weight: Max. 2.6kg/pair (5.7lbs/pair)



Material	Finish
316 Stainless Steel	Mirror

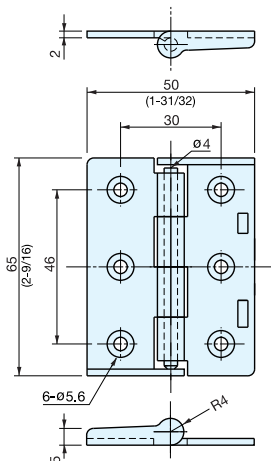
Item No.	L	L <sub>1</sub>	C <sub>1</sub>	C <sub>2</sub>	C <sub>3</sub>	A	R	t	Holes	Weight (g)	Box (pcs)	Carton (pcs)
50704	105 (4-9/64")	57	17.5	25	-	26.5 (1-3/64")	9	4	4	75	20	100
50706	158 (6-7/32")	84	19.5	25	-	26.5 (1-3/64")	9	4	6	115		

# BUTT HINGE



HG-BF1

- Rim on edges prevents pin removal.



Item No.	Weight (g)	Box (pcs)	Carton (pcs)	Material	Finish
HG-BF1	63	20	120	304 Stainless Steel	Plain

# BUTT HINGE (W/SPRING)



HG-BF3

- Spring hinge to hold door.
- Sprung open or sprung closed versions available.

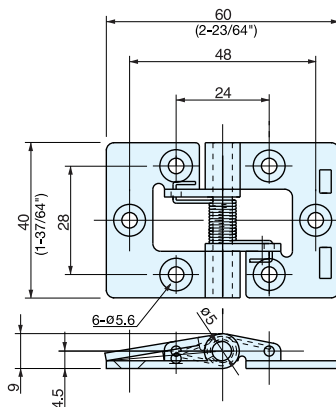


PAT.P

SC type (Closing Tension)



SO type (Opening Tension)



Item No.		Tension Direction	Weight (g)	Box (pcs)	Carton (pcs)	Material	Finish
Left	Right						
HG-BF3-2L-SO	HG-BF3-2R-SO	Opening Tension	41	20	120	304 Stainless Steel	Plain
HG-BF3-2L-SC	HG-BF3-2R-SC	Closing Tension					