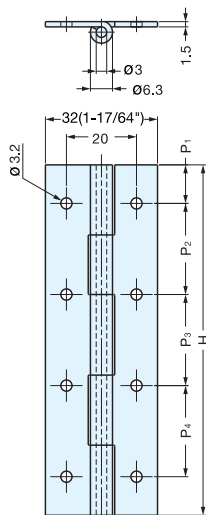


# BUTT HINGE



# KHA



KHA-100C shown

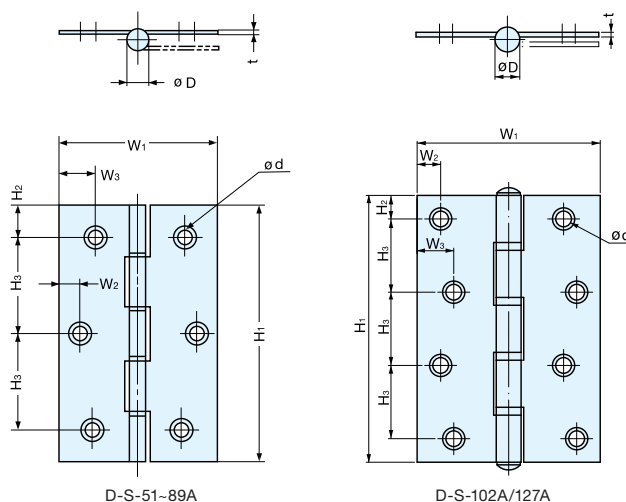
Material	Finish
304 Stainless Steel	Polished

Item No.	H	P <sub>1</sub>	P <sub>2</sub>	P <sub>3</sub>	P <sub>4</sub>	Knuckles	Weight (g)	Box (pcs)	Carton (pcs)
KHA- 25C	25 ( 63/64" )	6	13	-	-	3	13	200	800
KHA- 30C	30 ( 1-3/16" )	7	16	-	-		16		
KHA- 40C	40 ( 1-37/64" )	8	24	-	-		21	150	600
KHA- 50C	50 ( 1-31/32" )	10	30	-	-		26	100	400
KHA- 60C	60 ( 2-23/64" )	8	22	22	-	31			
KHA- 65C	65 ( 2-9/16" )	8.5	24	24	-	34			
KHA- 75C	75 ( 2-61/64" )	9.5	28	28	-	39			
KHA- 80C	80 ( 3-5/32" )	10	30	30	-	5	42	50	200
KHA- 90C	90 ( 3-35/64" )		35	35	-		47		
KHA-100C	100 ( 3-15/16" )		26	26	26		52		

# BUTT HINGE



# D-S



D-S-51-89A

D-S-102A/127A

• Stainless steel hinge with polyacetal bushing.

Part Name	Material	Finish
Body	304 Stainless Steel	Satin
Bushing	Polyacetal	Natural

Item No.	H <sub>1</sub>	H <sub>2</sub>	H <sub>3</sub>	W <sub>1</sub>	W <sub>2</sub>	W <sub>3</sub>	D	t	d	Knuckles	Holes	Weight (g)	Box (pcs)	Carton (pcs)
D-S- 51A	51 ( 2-1/64" )	7.5	36	39 ( 1-17/32" )	-	7	6.2	1.3	4.2	3	4	27.4	20	1000
D-S- 64A	64 ( 2-33/64" )	7	25	42.5 ( 1-43/64" )	6	8			5					
D-S- 76A	76 ( 2-63/64" )	9	29	50 ( 1-31/32" )	7	9	7.4	1.5	5.2	5	6	59.5	10	480
D-S- 89A	89 ( 3-1/2" )	10.5	34	56.5 ( 2-7/32" )	7.5	10.5	9	1.7	5.4			91.6		280
D-S-102A	102 ( 4-1/64" )	9	28	70 ( 2-3/4" )	9	14	9.5	1.8	6	5	8	132.5	6	200
D-S-127A	127 ( 5" )	11	35	82 ( 3-15/64" )	10.5	16	11.5	1.9				231.5		120