



Zwei L is the flagship brand of Sugatsune and represents premium Japanese hardware quality. **Zwei L** stands for "Zwei Lichter" in German: a dual highlight of mirror finish and lustrous satin on a faceted profile. Manufactured from solid billets of the finest quality 316 stainless steel, **Zwei L** brings the space luxury and dazzles your eyes.

[Video Link](#)




Zwei L GLASS DOOR HINGE



ZL-1703

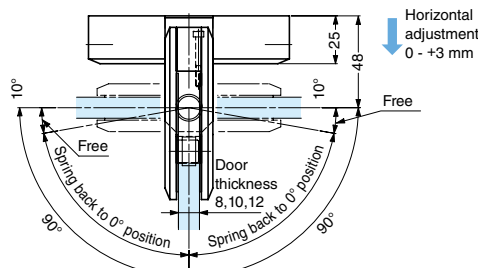


Features

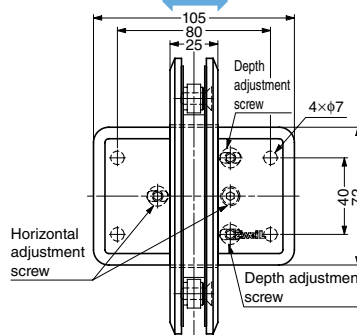
- Made of highly corrosion resistant SUS316
- Ultrapremium Zwei L finish. Zwei L finish: Using top class polishing technology, these products combine the elegance of Satin with the deep glow of a Mirror.
- Recommended for use in shower booths.
- Used as a pair.

Parts Included

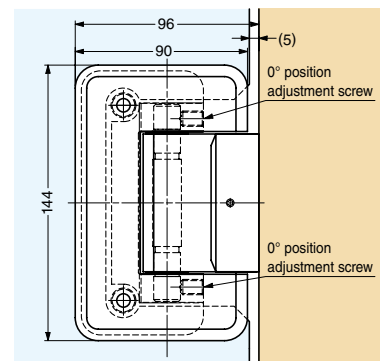
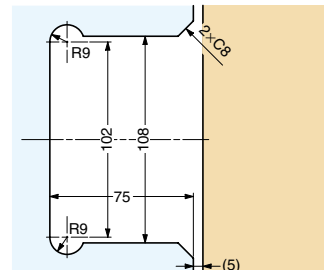
- Spacer x 6 pcs
(Use 6 pcs for 8 mm/4 pcs for 10 mm/2 pcs for 12 mm.)
- Round head wood screw 6.2x56 (SUS) 4 pcs
- Plug MG-10x50P 4 pcs
- Allen key 4 1 pc
- Allen key 2.5 1 pc



0° (Catch position)
Depth adjustment: -3 - +3 mm



Cut Out Dimensions



Item Code	Item Name	Material	Finish	Door Width	Door Height	Glass Thickness	Door Weight	Weight	Box
170-080-081	ZL-1703	Stainless Steel (SUS316)	Zwei L Finish	Max. 1000	Max. 2500	8, 10, 12	Max. 65 kg/2 pcs	2,656 g	1 pc

