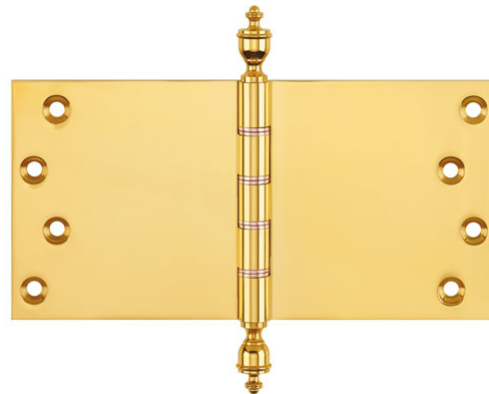


Brass Hinge - Ref. P1466 Finial

Suitable for medium to heavy flush doors

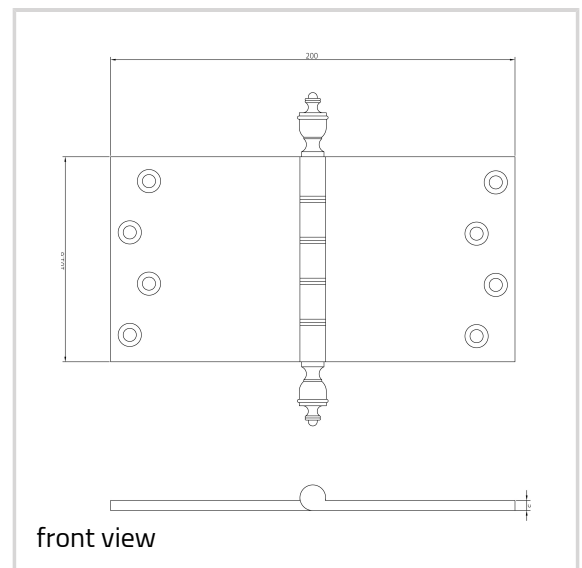


Product features

- double phosphor bronze tab washered brass butt hinges
- brass pin
- 10 year performance guarantee
- suitable for medium to heavy weight flush doors
- security bolt and radius corner options available

Technical data

| Property | Value |
|-----------------------|----------------|
| Load capacity | 80.0 kg |
| Knuckle Diameter | 12.5 mm |
| Overall length | 101.6 mm |
| Overall width | 200.0 mm |
| Material thickness | 5.0 mm |
| Screw | 12.0 x 32.0 mm |
| Amount of projections | 100.0 mm |



Notes

Supplied complete with pozi/slotted head brass woodscrew if required.

Brass Hinges - Brass Hinge - Ref. P1466 Finial

Item versions

| | |
|----------------|---------------------------|
| Finish | Aged Brass (UK 501) |
| OF-No. | UK 501 |
| VPE | 10 pcs |
| DIN | DIN right and left hand |
| Article number | P1466 |
| Finish | Antique Brass (UK 502) |
| OF-No. | UK 502 |
| VPE | 10 pcs |
| DIN | DIN right and left hand |
| Article number | P1466 |
| Finish | Antique nickel (UK 503) |
| OF-No. | UK 503 |
| VPE | 10 pcs |
| DIN | DIN right and left hand |
| Article number | P1466 |
| Finish | Copper Bronze (UK 505) |
| OF-No. | UK 505 |
| VPE | 10 pcs |
| DIN | DIN right and left hand |
| Article number | P1466 |
| Finish | Copper (UK 506) |
| OF-No. | UK 506 |
| VPE | 10 pcs |
| DIN | DIN right and left hand |
| Article number | P1466 |
| Finish | Honeycombe (UK 507) |
| OF-No. | UK 507 |
| VPE | 10 pcs |
| DIN | DIN right and left hand |
| Article number | P1466 |
| Finish | Imitation Bronze (UK 508) |
| OF-No. | UK 508 |
| VPE | 10 pcs |
| DIN | DIN right and left hand |

Brass Hinges - Brass Hinge - Ref. P1466 Finial

| | |
|----------------|----------------------------------|
| Article number | P1466 |
| Finish | Midnight (UK 509) |
| OF-No. | UK 509 |
| VPE | 10 pcs |
| DIN | DIN right and left hand |
| Article number | P1466 |
| Finish | Pearl Nickel (UK 510) |
| OF-No. | UK 510 |
| VPE | 10 pcs |
| DIN | DIN right and left hand |
| Article number | P1466 |
| Finish | Polished Chrome (UK 511) |
| OF-No. | UK 511 |
| VPE | 10 pcs |
| DIN | DIN right and left hand |
| Article number | P1466 |
| Finish | Polished & Lacquered (UK 512) |
| OF-No. | UK 512 |
| VPE | 10 pcs |
| DIN | DIN right and left hand |
| Article number | P1466 |
| Finish | Polished Nickel (UK 513) |
| OF-No. | UK 513 |
| VPE | 10 pcs |
| DIN | DIN right and left hand |
| Article number | P1466 |
| Finish | Satin Brass & Lacquered (UK 514) |
| OF-No. | UK 514 |
| VPE | 10 pcs |
| DIN | DIN right and left hand |
| Article number | P1466 |
| Finish | Satin Chrome (UK 515) |
| OF-No. | UK 515 |
| VPE | 10 pcs |
| DIN | DIN right and left hand |
| Article number | P1466 |

Brass Hinges - Brass Hinge - Ref. P1466 Finial

| | |
|----------------|-------------------------|
| Finish | Satin nickel (UK 516) |
| OF-No. | UK 516 |
| VPE | 10 pcs |
| DIN | DIN right and left hand |
| Article number | P1466 |