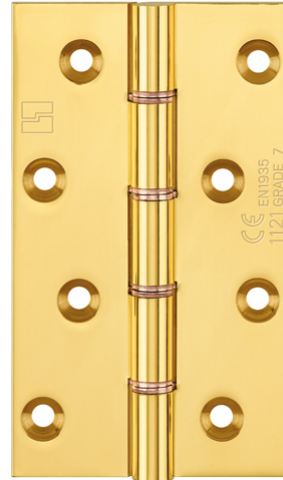


Brass Hinge - Ref. 1270 CE

Suitable for medium weight flush doors Grade 7



Product features

- double phosphor bronze tab washered brass butt hinges
- knurled brass plugs for flush end appearance
- CE marked FD30 fire rated
- brass pin
- 10 year performance guarantee
- suitable for medium weight flush doors
- security bolt and radius corner options available
- handed left or right

Technical data

Property	Value
Load capacity	40.0 kg
Knuckle Diameter	11.0 mm
Overall length	127.0 mm
Overall width	75.0 mm
Material thickness	4.0 mm
Screw	12.0 x 32.0 mm

Notes

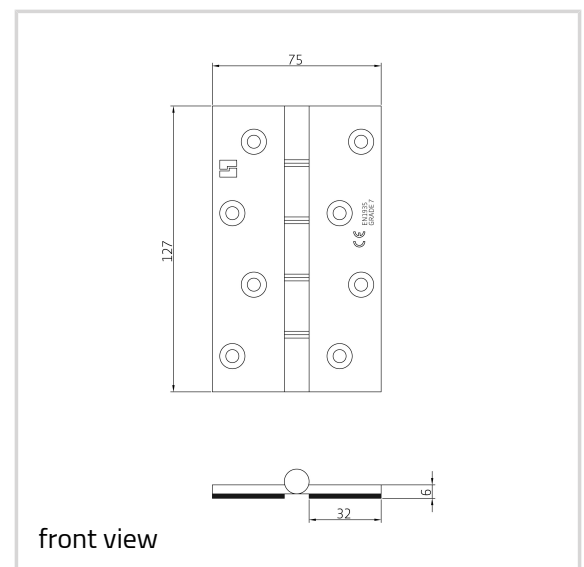
Quality marks



Classification key

2	7	2	1 [*]	1	4	0	7
---	---	---	----------------	---	---	---	---

*1 Test evidence for functional doors to be achieved with full door sets and assemblies.



Brass Hinges - Brass Hinge - Ref. 1270 CE

Supplied complete with pozi/slotted head brass woodscrew if required.

Item versions

Finish	Aged Brass (UK 501)
OF-No.	UK 501
VPE	10 pcs
DIN	DIN right and left hand
Article number	1270 CE
Finish	Antique Brass (UK 502)
OF-No.	UK 502
VPE	10 pcs
DIN	DIN right and left hand
Article number	1270 CE
Finish	Antique nickel (UK 503)
OF-No.	UK 503
VPE	10 pcs
DIN	DIN right and left hand
Article number	1270 CE
Finish	Copper Bronze (UK 505)
OF-No.	UK 505
VPE	10 pcs
DIN	DIN right and left hand
Article number	1270 CE
Finish	Copper (UK 506)
OF-No.	UK 506
VPE	10 pcs
DIN	DIN right and left hand
Article number	1270 CE
Finish	Honeycombe (UK 507)
OF-No.	UK 507
VPE	10 pcs
DIN	DIN right and left hand
Article number	1270 CE
Finish	Imitation Bronze (UK 508)
OF-No.	UK 508

Brass Hinges - Brass Hinge - Ref. 1270 CE

VPE	10 pcs
DIN	DIN right and left hand
Article number	1270 CE
Finish	Midnight (UK 509)
OF-No.	UK 509
VPE	10 pcs
DIN	DIN right and left hand
Article number	1270 CE
Finish	Pearl Nickel (UK 510)
OF-No.	UK 510
VPE	10 pcs
DIN	DIN right and left hand
Article number	1270 CE
Finish	Polished Chrome (UK 511)
OF-No.	UK 511
VPE	10 pcs
DIN	DIN right and left hand
Article number	1270 CE
Finish	Polished & Lacquered (UK 512)
OF-No.	UK 512
VPE	10 pcs
DIN	DIN right and left hand
Article number	1270 CE
Finish	Polished Nickel (UK 513)
OF-No.	UK 513
VPE	10 pcs
DIN	DIN right and left hand
Article number	1270 CE
Finish	Satin Brass & Lacquered (UK 514)
OF-No.	UK 514
VPE	10 pcs
DIN	DIN right and left hand
Article number	1270 CE
Finish	Satin Chrome (UK 515)
OF-No.	UK 515
VPE	10 pcs

Brass Hinges - Brass Hinge - Ref. 1270 CE

DIN	DIN right and left hand
Article number	1270 CE
Finish	Satin nickel (UK 516)
OF-No.	UK 516
VPE	10 pcs
DIN	DIN right and left hand
Article number	1270 CE