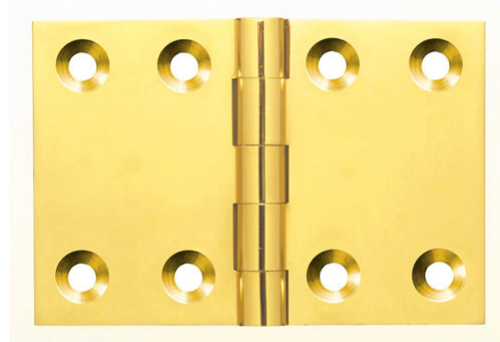


Brass Hinge - Ref. 0420

Suitable for use on wooden box lids, wooden chests etc.

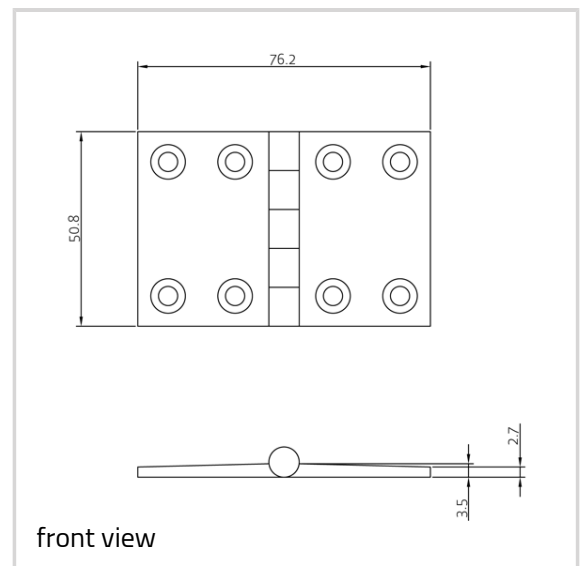


Product features

- brass pin
- 10 year performance guarantee
- suitable for use on wooden box lids, wooden chests etc

Technical details

Attributes	Value
Load capacity	15.0 kg
Knuckle diameter	7.8 mm
Overall length	50.8 mm
Overall width	76.2 mm
Material thickness	3.5 mm
Screws	8.0 x 25.4 mm



Note

Supplied complete with pozi/slotted head brass woodscrew if required.

Item

Brass Hinges - Brass Hinge - Ref. 0420

Finish(es)	Aged Brass (UK 501)
OF-NR.	UK 501
VPE	10 pcs
DIN	DIN right and left hand
Item No.	0420

Finish(es)	Antique Brass (UK 502)
OF-NR.	UK 502
VPE	10 pcs
DIN	DIN right and left hand
Item No.	0420

Finish(es)	Antique nickel (UK 503)
OF-NR.	UK 503
VPE	10 pcs
DIN	DIN right and left hand
Item No.	0420

Finish(es)	Copper Bronze (UK 505)
OF-NR.	UK 505
VPE	10 pcs
DIN	DIN right and left hand
Item No.	0420

Finish(es)	Copper (UK 506)
OF-NR.	UK 506
VPE	10 pcs
DIN	DIN right and left hand
Item No.	0420

Finish(es)	Honeycombe (UK 507)
OF-NR.	UK 507
VPE	10 pcs
DIN	DIN right and left hand
Item No.	0420

Finish(es)	Imitation Bronze (UK 508)
OF-NR.	UK 508
VPE	10 pcs
DIN	DIN right and left hand
Item No.	0420

Finish(es)	Midnight (UK 509)
OF-NR.	UK 509

Brass Hinges - Brass Hinge - Ref. 0420

VPE	10 pcs
DIN	DIN right and left hand
Item No.	0420
Finish(es)	Pearl Nickel (UK 510)
OF-NR.	UK 510
VPE	10 pcs
DIN	DIN right and left hand
Item No.	0420
Finish(es)	Polished Chrome (UK 511)
OF-NR.	UK 511
VPE	10 pcs
DIN	DIN right and left hand
Item No.	0420
Finish(es)	Polished & Lacquered (UK 512)
OF-NR.	UK 512
VPE	10 pcs
DIN	DIN right and left hand
Item No.	0420
Finish(es)	Polished Nickel (UK 513)
OF-NR.	UK 513
VPE	10 pcs
DIN	DIN right and left hand
Item No.	0420
Finish(es)	Satin Brass & Lacquered (UK 514)
OF-NR.	UK 514
VPE	10 pcs
DIN	DIN right and left hand
Item No.	0420
Finish(es)	Satin Chrome (UK 515)
OF-NR.	UK 515
VPE	10 pcs
DIN	DIN right and left hand
Item No.	0420
Finish(es)	Satin nickel (UK 516)
OF-NR.	UK 516
VPE	10 pcs

Brass Hinges - Brass Hinge - Ref. 0420

DIN	DIN right and left hand
Item No.	0420