

Brass Hinge - Ref. 1810

Suitable for medium weight toilet cubicle and internal flush doors

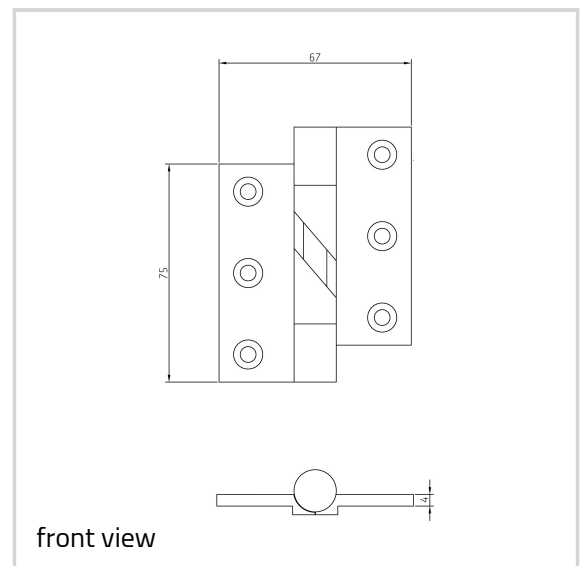


Product features

- rise or fall of 13 mm at 180°
- brass pin
- 10 year performance guarantee
- suitable for medium weight toilet cubicle and internal flush doors
- fitted with heavy-duty bronze skews for long life and high resistance to corrosion
- radius corners optional, by special request
- handed left or right

Technical data

Property	Value
Load capacity	40.0 kg
Knuckle Diameter	14.5 mm
Overall length	75.0 mm
Overall width	67.0 mm
Material thickness	4.0 mm
Screw	10.0 x 32.0 mm



Notes

Brass Hinges - Brass Hinge - Ref. 1810

Supplied complete with pozi/slotted head brass woodscrew if required.

Item versions

Finish	Aged Brass (UK 501)
OF-No.	UK 501
VPE	10 pcs
DIN	DIN right and left hand
Article number	1810
Finish	Antique Brass (UK 502)
OF-No.	UK 502
VPE	10 pcs
DIN	DIN right and left hand
Article number	1810
Finish	Antique nickel (UK 503)
OF-No.	UK 503
VPE	10 pcs
DIN	DIN right and left hand
Article number	1810
Finish	Copper Bronze (UK 505)
OF-No.	UK 505
VPE	10 pcs
DIN	DIN right and left hand
Article number	1810
Finish	Copper (UK 506)
OF-No.	UK 506
VPE	10 pcs
DIN	DIN right and left hand
Article number	1810
Finish	Honeycombe (UK 507)
OF-No.	UK 507
VPE	10 pcs
DIN	DIN right and left hand
Article number	1810
Finish	Imitation Bronze (UK 508)
OF-No.	UK 508

Brass Hinges - Brass Hinge - Ref. 1810

VPE	10 pcs
DIN	DIN right and left hand
Article number	1810
Finish	Midnight (UK 509)
OF-No.	UK 509
VPE	10 pcs
DIN	DIN right and left hand
Article number	1810
Finish	Pearl Nickel (UK 510)
OF-No.	UK 510
VPE	10 pcs
DIN	DIN right and left hand
Article number	1810
Finish	Polished Chrome (UK 511)
OF-No.	UK 511
VPE	10 pcs
DIN	DIN right and left hand
Article number	1810
Finish	Polished & Lacquered (UK 512)
OF-No.	UK 512
VPE	10 pcs
DIN	DIN right and left hand
Article number	1810
Finish	Polished Nickel (UK 513)
OF-No.	UK 513
VPE	10 pcs
DIN	DIN right and left hand
Article number	1810
Finish	Satin Brass & Lacquered (UK 514)
OF-No.	UK 514
VPE	10 pcs
DIN	DIN right and left hand
Article number	1810
Finish	Satin Chrome (UK 515)
OF-No.	UK 515
VPE	10 pcs

Brass Hinges - Brass Hinge - Ref. 1810

DIN	DIN right and left hand
Article number	1810
Finish	Satin nickel (UK 516)
OF-No.	UK 516
VPE	10 pcs
DIN	DIN right and left hand
Article number	1810