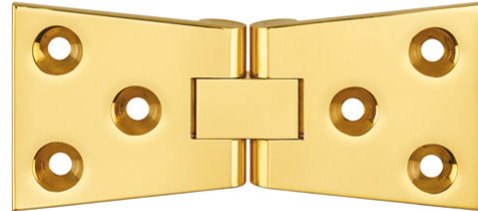


Brass Hinge - Ref. 0500

Suitable for bar and shop counters

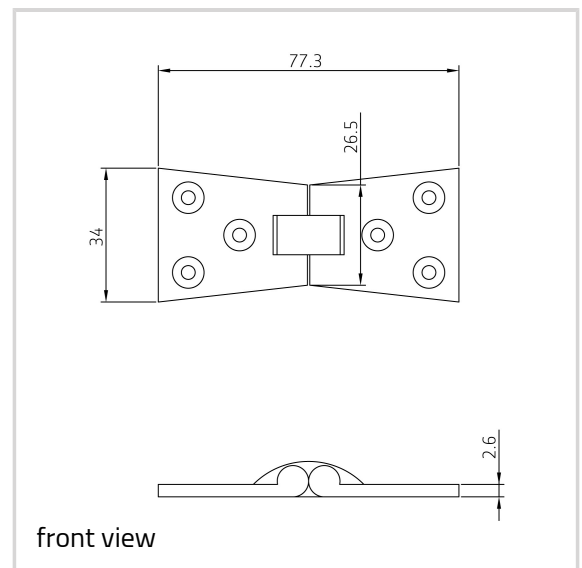


Product features

- suitable for flush wooden counters

Technical data

Property	Value
Load capacity	5.0 kg
Overall length	34.0 mm
Overall width	77.3 mm
Material thickness	2.6 mm
Screw	8.0 x 25.4 mm



Notes

Supplied complete with pozi/slotted head brass woodscrew if required.

Item versions

Finish	Aged Brass (UK 501)
OF-No.	UK 501

Brass Hinges - Brass Hinge - Ref. 0500

VPE	20 pcs
DIN	DIN right and left hand
Article number	0500
Finish	Antique Brass (UK 502)
OF-No.	UK 502
VPE	20 pcs
DIN	DIN right and left hand
Article number	0500
Finish	Antique nickel (UK 503)
OF-No.	UK 503
VPE	20 pcs
DIN	DIN right and left hand
Article number	0500
Finish	Copper Bronze (UK 505)
OF-No.	UK 505
VPE	20 pcs
DIN	DIN right and left hand
Article number	0500
Finish	Copper (UK 506)
OF-No.	UK 506
VPE	20 pcs
DIN	DIN right and left hand
Article number	0500
Finish	Honeycombe (UK 507)
OF-No.	UK 507
VPE	20 pcs
DIN	DIN right and left hand
Article number	0500
Finish	Imitation Bronze (UK 508)
OF-No.	UK 508
VPE	20 pcs
DIN	DIN right and left hand
Article number	0500
Finish	Midnight (UK 509)
OF-No.	UK 509
VPE	20 pcs
DIN	DIN right and left hand
Article number	0500

Brass Hinges - Brass Hinge - Ref. 0500

Finish	Pearl Nickel (UK 510)
OF-No.	UK 510
VPE	20 pcs
DIN	DIN right and left hand
Article number	0500
Finish	Polished Chrome (UK 511)
OF-No.	UK 511
VPE	20 pcs
DIN	DIN right and left hand
Article number	0500
Finish	Polished & Lacquered (UK 512)
OF-No.	UK 512
VPE	20 pcs
DIN	DIN right and left hand
Article number	0500
Finish	Polished Nickel (UK 513)
OF-No.	UK 513
VPE	20 pcs
DIN	DIN right and left hand
Article number	0500
Finish	Satin Brass & Lacquered (UK 514)
OF-No.	UK 514
VPE	20 pcs
DIN	DIN right and left hand
Article number	0500
Finish	Satin Chrome (UK 515)
OF-No.	UK 515
VPE	20 pcs
DIN	DIN right and left hand
Article number	0500
Finish	Satin nickel (UK 516)
OF-No.	UK 516
VPE	20 pcs
DIN	DIN right and left hand
Article number	0500