

Brass Hinge - Ref. 1070

Suitable for cabinets and lightweight flush doors and windows

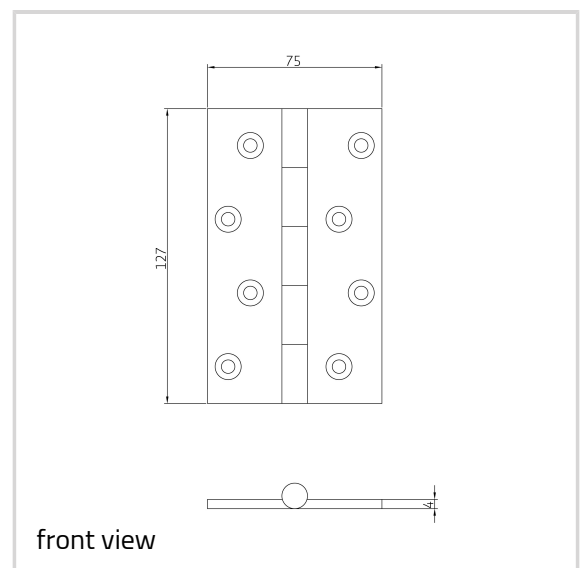


Product features

- brass pin
- 10 year performance guarantee
- suitable for lightweight flush doors and windows

Technical data

Property	Value
Load capacity	20.0 kg
Knuckle Diameter	11.0 mm
Overall length	127.0 mm
Overall width	75.0 mm
Material thickness	4.0 mm
Screw	12.0 x 32.0 mm



Notes

Supplied complete with pozi/slotted head brass woodscrew if required.

Item versions

Brass Hinges - Brass Hinge - Ref. 1070

Finish	Aged Brass (UK 501)
OF-No.	UK 501
VPE	10 pcs
DIN	DIN right and left hand
Article number	1070
Finish	Antique Brass (UK 502)
OF-No.	UK 502
VPE	10 pcs
DIN	DIN right and left hand
Article number	1070
Finish	Antique nickel (UK 503)
OF-No.	UK 503
VPE	10 pcs
DIN	DIN right and left hand
Article number	1070
Finish	Copper Bronze (UK 505)
OF-No.	UK 505
VPE	10 pcs
DIN	DIN right and left hand
Article number	1070
Finish	Copper (UK 506)
OF-No.	UK 506
VPE	10 pcs
DIN	DIN right and left hand
Article number	1070
Finish	Honeycombe (UK 507)
OF-No.	UK 507
VPE	10 pcs
DIN	DIN right and left hand
Article number	1070
Finish	Imitation Bronze (UK 508)
OF-No.	UK 508
VPE	10 pcs
DIN	DIN right and left hand
Article number	1070
Finish	Midnight (UK 509)
OF-No.	UK 509

Brass Hinges - Brass Hinge - Ref. 1070

VPE	10 pcs
DIN	DIN right and left hand
Article number	1070
Finish	Pearl Nickel (UK 510)
OF-No.	UK 510
VPE	10 pcs
DIN	DIN right and left hand
Article number	1070
Finish	Polished Chrome (UK 511)
OF-No.	UK 511
VPE	10 pcs
DIN	DIN right and left hand
Article number	1070
Finish	Polished & Lacquered (UK 512)
OF-No.	UK 512
VPE	10 pcs
DIN	DIN right and left hand
Article number	1070
Finish	Polished Nickel (UK 513)
OF-No.	UK 513
VPE	10 pcs
DIN	DIN right and left hand
Article number	1070
Finish	Satin Brass & Lacquered (UK 514)
OF-No.	UK 514
VPE	10 pcs
DIN	DIN right and left hand
Article number	1070
Finish	Satin Chrome (UK 515)
OF-No.	UK 515
VPE	10 pcs
DIN	DIN right and left hand
Article number	1070
Finish	Satin nickel (UK 516)
OF-No.	UK 516
VPE	10 pcs

Brass Hinges - Brass Hinge - Ref. 1070

DIN	DIN right and left hand
Article number	1070