

Brass Hinge - Ref. 0955

Suitable for cabinets and lightweight flush doors and windows

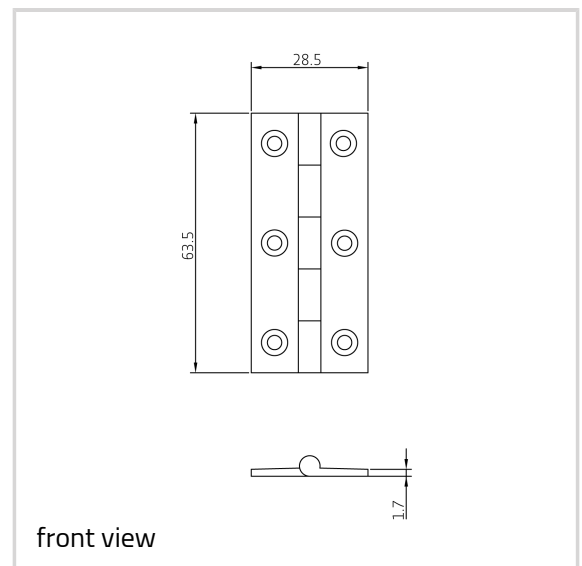


Product features

- brass pin
- 10 year performance guarantee
- suitable for lightweight flush doors and windows

Technical details

| Attributes | Value |
|--------------------|---------------|
| Knuckle diameter | 5.5 mm |
| Overall length | 63.5 mm |
| Overall width | 28.5 mm |
| Material thickness | 1.7 mm |
| Screws | 4.0 x 12.7 mm |



Note

Supplied complete with pozi/slotted head brass woodscrew if required.

Item

Brass Hinges - Brass Hinge - Ref. 0955

| | |
|------------|---------------------------|
| Finish(es) | Aged Brass (UK 501) |
| OF-NR. | UK 501 |
| VPE | 20 pcs |
| DIN | DIN right and left hand |
| Item No. | 0955 |
| Finish(es) | Antique Brass (UK 502) |
| OF-NR. | UK 502 |
| VPE | 20 pcs |
| DIN | DIN right and left hand |
| Item No. | 0955 |
| Finish(es) | Antique nickel (UK 503) |
| OF-NR. | UK 503 |
| VPE | 20 pcs |
| DIN | DIN right and left hand |
| Item No. | 0955 |
| Finish(es) | Copper Bronze (UK 505) |
| OF-NR. | UK 505 |
| VPE | 20 pcs |
| DIN | DIN right and left hand |
| Item No. | 0955 |
| Finish(es) | Copper (UK 506) |
| OF-NR. | UK 506 |
| VPE | 20 pcs |
| DIN | DIN right and left hand |
| Item No. | 0955 |
| Finish(es) | Honeycombe (UK 507) |
| OF-NR. | UK 507 |
| VPE | 20 pcs |
| DIN | DIN right and left hand |
| Item No. | 0955 |
| Finish(es) | Imitation Bronze (UK 508) |
| OF-NR. | UK 508 |
| VPE | 20 pcs |
| DIN | DIN right and left hand |
| Item No. | 0955 |
| Finish(es) | Midnight (UK 509) |
| OF-NR. | UK 509 |

Brass Hinges - Brass Hinge - Ref. 0955

| | |
|------------|----------------------------------|
| VPE | 20 pcs |
| DIN | DIN right and left hand |
| Item No. | 0955 |
| Finish(es) | Pearl Nickel (UK 510) |
| OF-NR. | UK 510 |
| VPE | 20 pcs |
| DIN | DIN right and left hand |
| Item No. | 0955 |
| Finish(es) | Polished Chrome (UK 511) |
| OF-NR. | UK 511 |
| VPE | 20 pcs |
| DIN | DIN right and left hand |
| Item No. | 0955 |
| Finish(es) | Polished & Lacquered (UK 512) |
| OF-NR. | UK 512 |
| VPE | 20 pcs |
| DIN | DIN right and left hand |
| Item No. | 0955 |
| Finish(es) | Polished Nickel (UK 513) |
| OF-NR. | UK 513 |
| VPE | 20 pcs |
| DIN | DIN right and left hand |
| Item No. | 0955 |
| Finish(es) | Satin Brass & Lacquered (UK 514) |
| OF-NR. | UK 514 |
| VPE | 20 pcs |
| DIN | DIN right and left hand |
| Item No. | 0955 |
| Finish(es) | Satin Chrome (UK 515) |
| OF-NR. | UK 515 |
| VPE | 20 pcs |
| DIN | DIN right and left hand |
| Item No. | 0955 |
| Finish(es) | Satin nickel (UK 516) |
| OF-NR. | UK 516 |
| VPE | 20 pcs |

Brass Hinges - Brass Hinge - Ref. 0955

| | |
|-----------------|---------------------------------|
| DIN Item No. | DIN right and left hand 0955 |
|-----------------|---------------------------------|