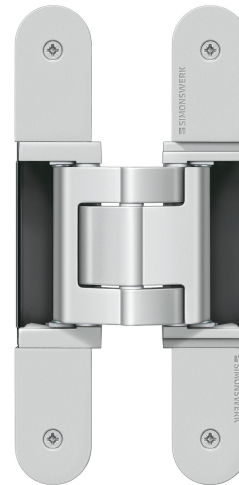


TE 540 3D A8 FR

with integrated intumescent kit for unrebrated heavy-duty doors with claddings up to 8 mm on both sides



Product features

- with integrated intumescent kit
- cladding up to 8 mm
- completely concealed hinge system
- for timber, steel or aluminium frames
- for unrebrated heavy-duty doors
- sideways closed hinge body for a homogeneous mortise appearance
- with comfortable 3D adjustment (side +/- 3,0 mm, height +/- 3,0 mm, compression +/- 1,0 mm)
- maintenance-free slide bearings

Technical details

Attributes	Value
Load capacity	100.0 kg
Overall length	200.0 mm
Width (door part)	32.0 mm
Width (frame part)	32.0 mm
Cutter diameter	24.0 mm
Collar ring diameter	30.0 mm
Opening angle	180°

Quality marks



Certification CE



Certification IFT



warringtonfire

Certification Warringtonfire



Certification Certifire

Classification key

4	7	5	1 ^{*1}	1	— ^{*2}	1	12
---	---	---	-----------------	---	-----------------	---	----

*¹ Test evidence for functional doors to be achieved with full door sets and assemblies.

*² depending on the finish

TECTUS - TE 540 3D A8 FR

Note

The load capacity mentioned above refers to the use of 2 hinges per door leaf (1 x 2 m), for detailed information please look at the chapter "technical information".

With an opening position of 180° the door may have to be fixed additionally.

Combinations

TE 540 3D FZ
 TE 540 3D A8 SZ
 TE 540 3D ST
 Cover plate set TECTUS A8 radius

Function range



Burglar resistance



Fire resistance



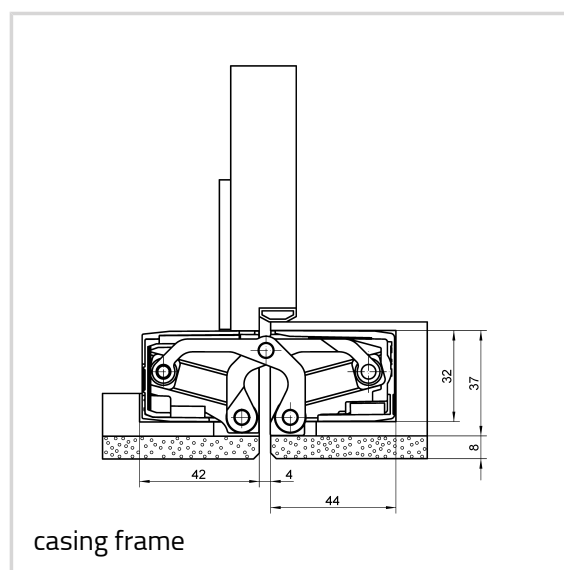
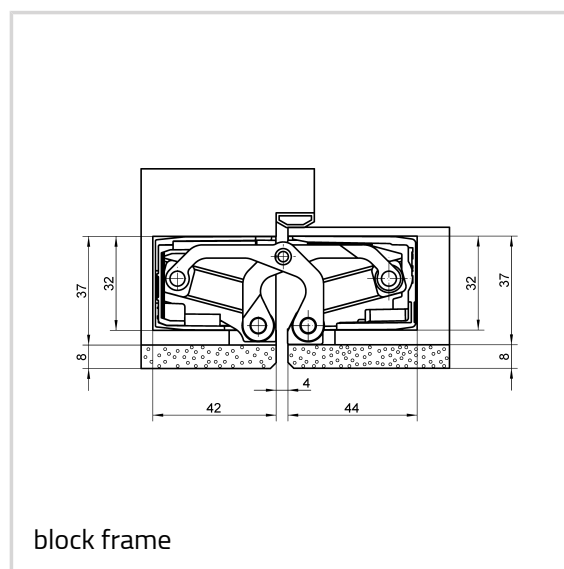
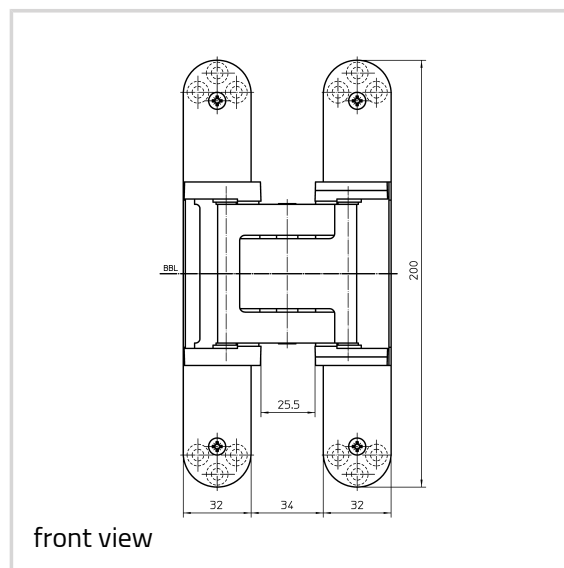
Smoke resistance



Soundproof

Item

Finish(es)	Satin Chrome Look (F1) (124)
OF-NR.	124
VPE	Pack of 2
DIN	DIN right and left hand
Item No.	5 400702 0 12402
EAN	4015471128661
Finish(es)	Stainless Steel Look (SSL) (126)
OF-NR.	126
VPE	Pack of 2
DIN	DIN right and left hand
Item No.	5 400702 0 12602



TECTUS - TE 540 3D A8 FR

EAN	4015471128685
Finish(es)	RAL 9005 Matte Black (107)
OF-NR.	107
VPE	Pack of 2
Item No.	5 400702 0 10702
EAN	4015471139056

