

TE 540 3D A8

for unrebated heavy-duty doors with claddings
up to 8 mm on both sides



Product features

- cladding up to 8 mm
- completely concealed hinge system
- for timber, steel or aluminium frames
- for unrebated heavy-duty doors
- sideways closed hinge body for a homogeneous mortise appearance
- with comfortable 3D adjustment (side +/- 3,0 mm, height +/- 3,0 mm, compression +/- 1,0 mm)
- maintenance-free slide bearings

Technical details

Attributes	Value
Load capacity	100.0 kg
Overall length	200.0 mm
Width (door part)	32.0 mm
Width (frame part)	32.0 mm
Cutter diameter	24.0 mm
Collar ring diameter	30.0 mm
Opening angle	180°

Quality marks



Certification CE



Certification IFT



Certification UL

warringtonfire

Certification Warringtonfire

Classification key

4	7	5	1 ^{*1}	1	— ^{*2}	1	12
---	---	---	-----------------	---	-----------------	---	----

*1 Test evidence for functional doors to be achieved with full door sets and assemblies.

*2 depending on the finish

TECTUS - TE 540 3D A8

Note

The load capacity mentioned above refers to the use of 2 hinges per door leaf (1 x 2 m), for detailed information please look at the chapter "technical information".

With an opening position of 180° the door may have to be fixed additionally.

Suitable for

- Universal milling frame step 1
- Template 5 250680 5 step 2
- Template 5 250681 5 step 3
- Template 5 250682 5 step 3 (without cladding)
- Template 5 250687 5

Combinations

- TE 540 3D FZ
- TE 540 3D A8 SZ
- TE 540 3D ST
- Cover plate set TECTUS A8 radius

Function range



Burglar resistance



Fire resistance



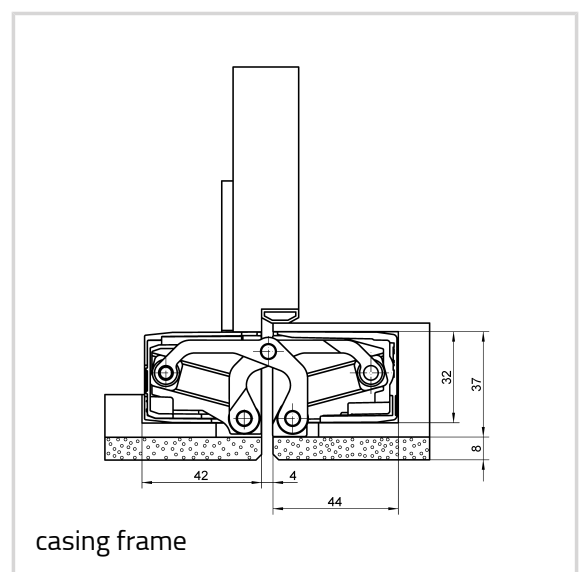
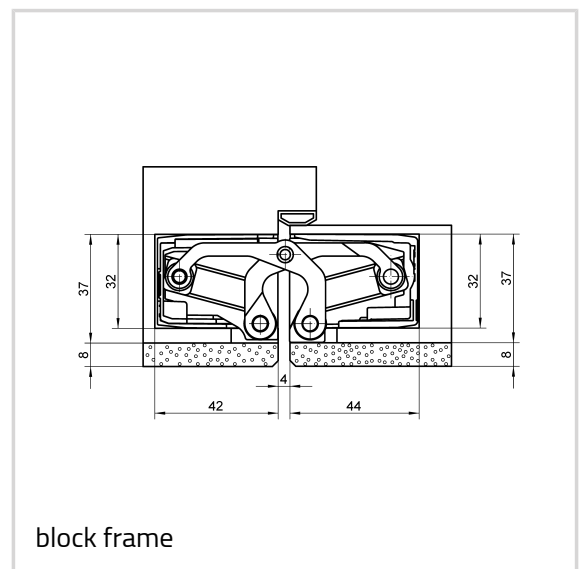
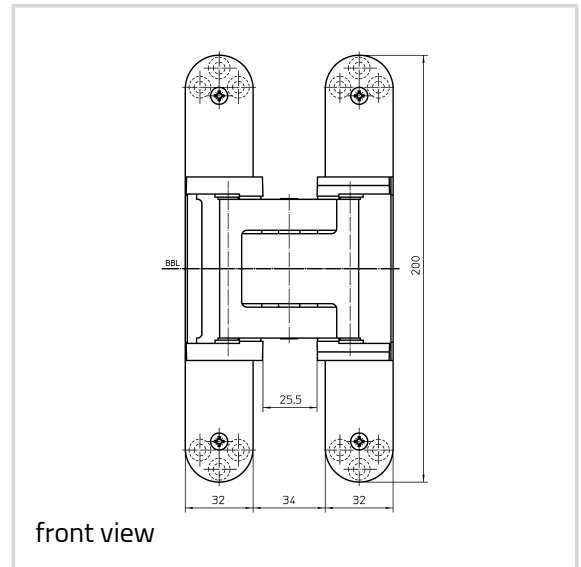
Smoke resistance



Soundproof

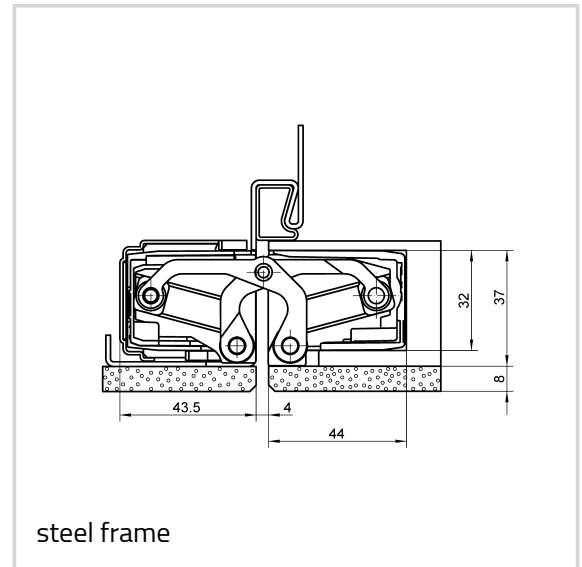
Item

Finish(es)	polished brass (030)
OF-NR.	030
VPE	Pack of 2
DIN	DIN right and left hand
Item No.	5 400695 0 03002



TECTUS - TE 540 3D A8

EAN	4015471126513
Finish(es)	polished nickelled (038)
OF-NR.	038
VPE	Pack of 2
DIN	DIN right and left hand
Item No.	5 400695 0 03802
EAN	4015471127329
Finish(es)	satin brassed (047)
OF-NR.	47
VPE	Pack of 2
DIN	DIN right and left hand
Item No.	5 400695 0 04702
EAN	4015471130824
Finish(es)	RAL 9016 Traffic White (070)
OF-NR.	070
VPE	Pack of 2
DIN	DIN right and left hand
Item No.	5 400695 0 07002
EAN	4015471127367
Finish(es)	RAL 9005 Matte Black (107)
OF-NR.	107
VPE	Pack of 2
DIN	DIN right and left hand
Item No.	5 400695 0 10702
EAN	4015471128265
Finish(es)	Satin Chrome Look (F1) (124)
OF-NR.	124
VPE	Pack of 2
DIN	DIN right and left hand
Item No.	5 400695 0 12402
EAN	4015471128272
Finish(es)	Satin Nickel Look (F2) (125)
OF-NR.	125
VPE	Pack of 2
DIN	DIN right and left hand



TECTUS - TE 540 3D A8

Item No.	5 400695 0 12502
EAN	4015471128289
Finish(es)	Stainless Steel Look (SSL) (126)
OF-NR.	126
VPE	Pack of 2
DIN	DIN right and left hand
Item No.	5 400695 0 12602
EAN	4015471128319
Finish(es)	Satin Nickel (144)
OF-NR.	144
VPE	Pack of 2
DIN	DIN right and left hand
Item No.	5 400695 0 14402
EAN	4015471128364
Finish(es)	Satin Chrome (146)
OF-NR.	146
VPE	Pack of 2
DIN	DIN right and left hand
Item No.	5 400695 0 14602
EAN	4015471128371
Finish(es)	Rustic Umber (156)
OF-NR.	156
VPE	Pack of 2
DIN	DIN right and left hand
Item No.	5 400695 0 15602
EAN	4015471128401
Finish(es)	Bronze Metallic (168)
OF-NR.	168
VPE	Pack of 2
DIN	DIN right and left hand
Item No.	5 400695 0 16802
EAN	4015471128418
Finish(es)	Bronze Finish (174)
OF-NR.	174
VPE	Pack of 2
DIN	DIN right and left hand
Item No.	5 400695 0 17402
EAN	4015471128425

TECTUS - TE 540 3D A8

Finish(es)	Bronze Finish light (175)
OF-NR.	175
VPE	Pack of 2
DIN	DIN right and left hand
Item No.	5 400695 0 17502
EAN	4015471128432
Finish(es)	Bronze Finish dark (176)
OF-NR.	176
VPE	Pack of 2
DIN	DIN right and left hand
Item No.	5 400695 0 17602
EAN	4015471128449
Finish(es)	coloured (079)
OF-NR.	079
VPE	EUR-pallet
DIN	DIN right and left hand
Item No.	5 400695 0 07975
EAN	4015471128241