

TE 640 3D FR

with integrated intumescent kit for unrebated high performance heavy-duty doors



Product features

- with integrated intumescent kit
- completely concealed hinge system
- for timber, steel or aluminium frames
- for unrebated high performance heavy-duty doors
- sideways closed hinge body for a homogeneous mortise appearance
- with comfortable 3D adjustment (side +/- 3,0 mm, height +/- 3,0 mm, compression +/- 1,0 mm)
- maintenance-free slide bearings

Technical details

Attributes	Value
Load capacity	200.0 kg
Overall length	240.0 mm
Width (door part)	32.0 mm
Width (frame part)	32.0 mm
Cutter diameter	24.0 mm
Collar ring diameter	30.0 mm
Opening angle	180°

Quality marks



Certification CE



Certification IFT



warringtonfire

Certification Warringtonfire



Certification Certifire

Classification key

4	7	7	1 ^{*1}	1	— ^{*2}	1	14
---	---	---	-----------------	---	-----------------	---	----

^{*1} Test evidence for functional doors to be achieved with full door sets and assemblies.

^{*2} depending on the finish

TECTUS - TE 640 3D FR

Note

The load capacity mentioned above refers to the use of 2 hinges per door leaf (1 x 2 m), for detailed information please look at the chapter "technical information".

With an opening position of 180° the door may have to be fixed additionally.

Combinations

TE 640 3D FZ
TE 640 3D SZ
TE 640 3D ST

Function range



Burglar resistance



Fire resistance



Smoke resistance

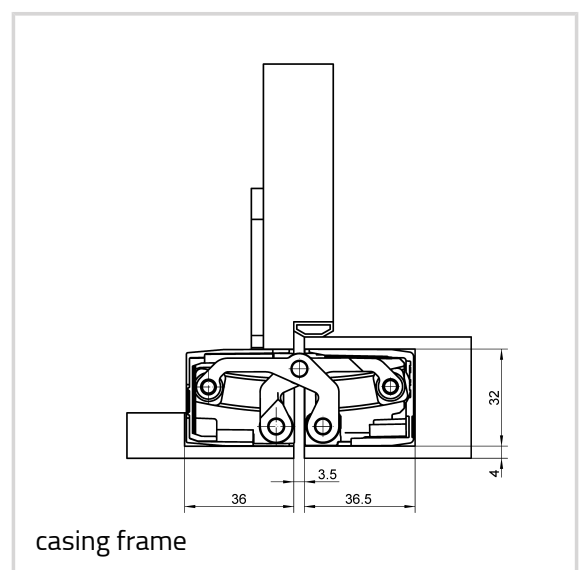
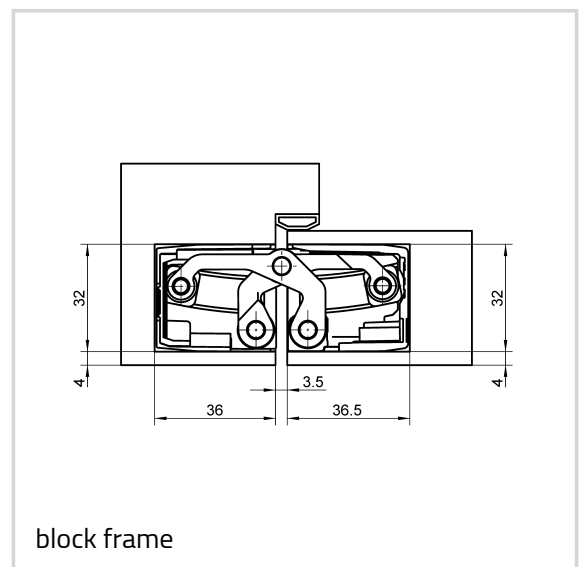
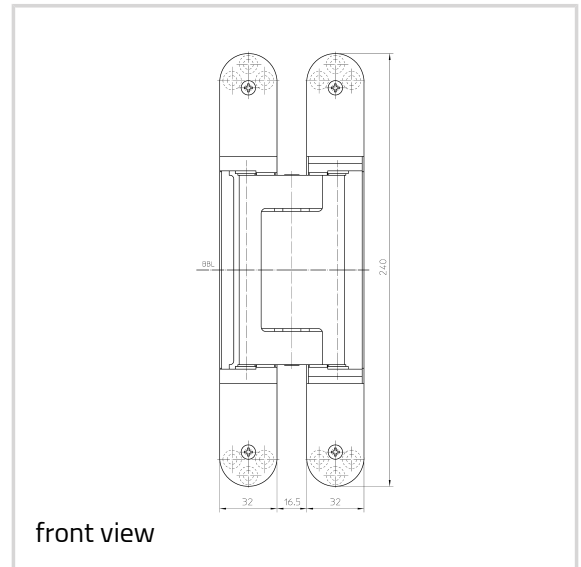


Soundproof

Item

Finish(es)	Satin Chrome Look (F1) (124)
OF-NR.	124
VPE	Pack of 2
DIN	DIN right and left hand
Item No.	5 400703 0 12402
EAN	4015471128609

Finish(es)	Stainless Steel Look (SSL) (126)
OF-NR.	126
VPE	Pack of 2
DIN	DIN right and left hand
Item No.	5 400703 0 12602
EAN	4015471128715



TECTUS - TE 640 3D FR

