

## TE 526 3D

made of solid stainless steel for unrebated heavy-duty doors



### Product features

- material stainless steel
- completely concealed hinge system
- for timber, steel or aluminium frames
- for unrebated heavy-duty doors
- 3D adjustment (side +/- 3,0 mm, height +/- 3,0 mm, compression +/- 1,0 mm)
- maintenance-free slide bearings

### Technical details

Attributes	Value
Load capacity	120.0 kg
Overall length	155.0 mm
Width (door part)	26.0 mm
Width (frame part)	26.0 mm
Cutter diameter	24.0 mm
Collar ring diameter	30.0 mm
Opening angle	180°

### Note

### Quality marks



Certification CE



Certification UL



Certification Certifire

### Classification key

4	7	6	1 <sup>*1</sup>	1	4	0	13
---	---	---	-----------------	---	---	---	----

\*1 Test evidence for functional doors to be achieved with full door sets and assemblies.

**TECTUS - TE 526 3D**

The load capacity mentioned above refers to the use of 2 hinges per door leaf (1 x 2 m), for detailed information please look at the chapter "technical information".

With an opening position of 180° the door may have to be fixed additionally.

Also available in Satin Stainless Steel grade 316.

**Suitable for**

Universal milling frame  
 Drilling jig TECTUS TE 526/527      block frame and blind frame 3D  
 Template 5 250547 6                      frame / door

**Combinations**

TE 526/527 3D FZ  
 TE 526/527 3D SZ  
 TE 526/527 3D ST  
 Intumescent Kit - Ref. 8820

**Function range**



Burglar resistance



Fire resistance



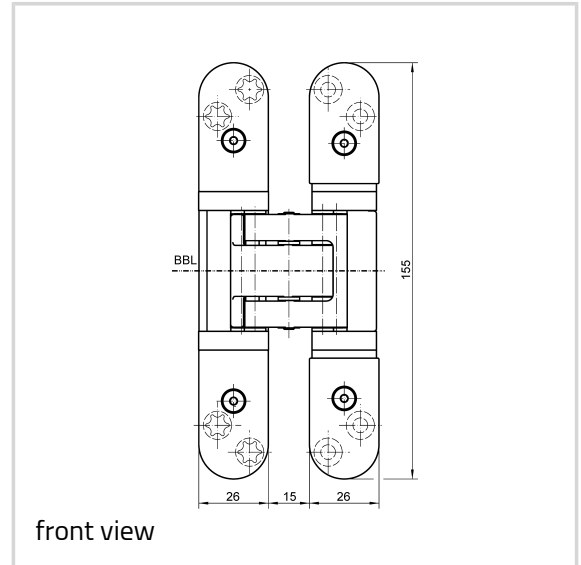
Smoke resistance



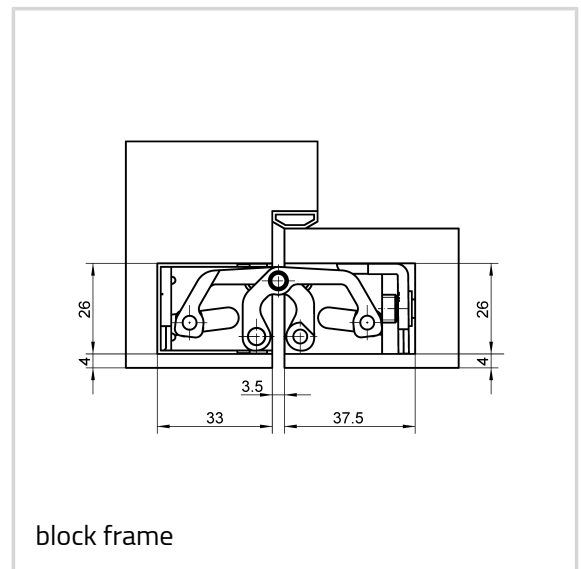
Soundproof

**Item**

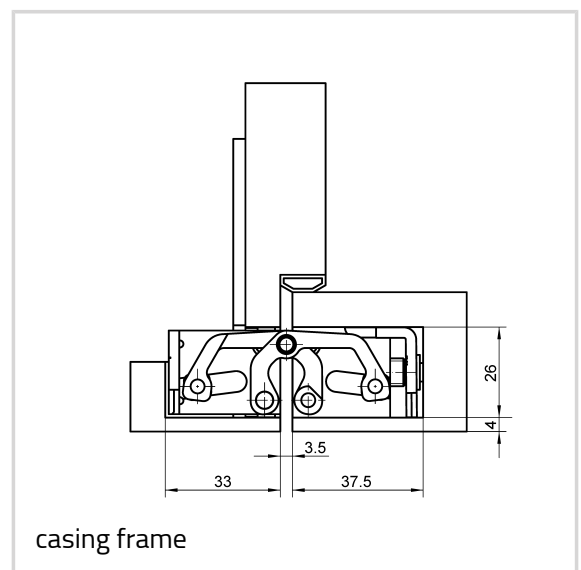
Finish(es)	Satin Stainless Steel (040)
OF-NR.	040
VPE	Pack of 2
DIN	DIN right and left hand
Item No.	5 400561 0 04002
EAN	4015471110703
Finish(es)	pol. Stainless Steel (042)



front view



block frame



casing frame

**TECTUS - TE 526 3D**

OF-NR.	042
VPE	Pack of 2
DIN	DIN right and left hand
Item No.	5 400561 0 04202
EAN	4015471120061

Finish(es)	coloured (079)
OF-NR.	079
VPE	EUR-pallet
DIN	DIN right and left hand
Item No.	5 400561 0 07975
EAN	4015471124601

