

TE 645 3D

for unrebated high performance heavy-duty doors



Product features

- completely concealed hinge system
- for timber, steel or aluminium frames
- for unrebated high performance heavy-duty doors
- sideways closed hinge body for a homogeneous mortise appearance
- with comfortable 3D adjustment (side +/- 3,0 mm, height +/- 3,0 mm, compression +/- 1,0 mm)
- maintenance-free slide bearings

Technical details

Attributes	Value
Load capacity	300.0 kg
Width (door part)	34.0 mm
Length (door part)	260.0 mm
Width (frame part)	36.0 mm
Length (frame part)	280.0 mm
Cutter diameter	24.0 mm
Collar ring diameter	30.0 mm
Opening angle	180°

Quality marks



Certification CE



Certification IFT

Classification key

4	7	7	1 ⁻¹	1	— ⁻²	1	14
---	---	---	-----------------	---	-----------------	---	----

^{*1} Test evidence for functional doors to be achieved with full door sets and assemblies.

^{*2} depending on the finish

TECTUS - TE 645 3D

Note

The load capacity mentioned above refers to two hinges per door leaf (1 x 2 m). Also the load capacities of the respective combined receiver have to be taken into consideration. For detailed information please look at the chapter "technical information".

Application on steel frames is subject to special frame facings.

With an opening position of 180° the door may have to be fixed additionally.

Combinations

TE 645 3D SZ
TE 645 3D ST

Function range



Burglar resistance



Fire resistance



Smoke resistance

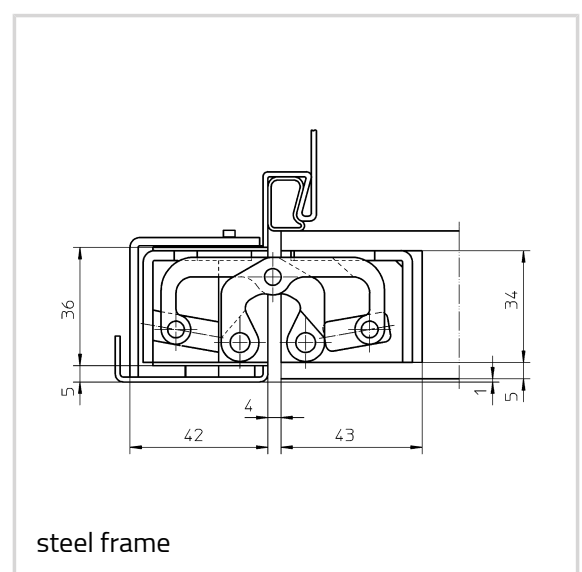
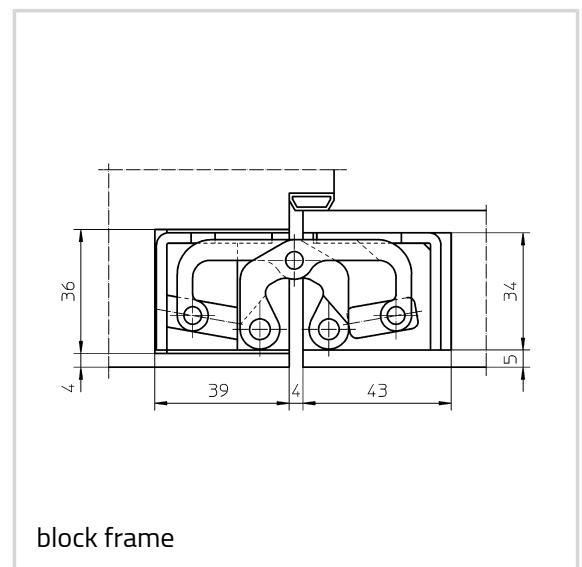
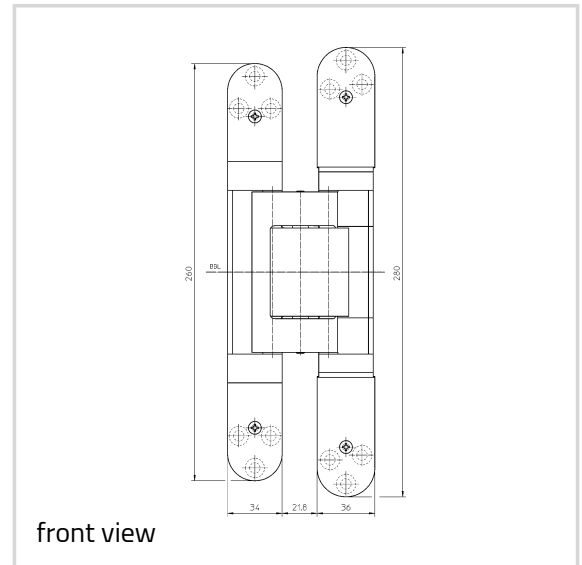


Soundproof

Item

Finish(es)	satin brassed (047)
OF-NR.	47
VPE	Pack of 2
DIN	DIN right and left hand
Item No.	5 400634 0 04702
EAN	4015471130831

Finish(es)	RAL 9005 Matte Black (107)
OF-NR.	107
VPE	Pack of 2
DIN	DIN right and left hand
Item No.	5 400634 0 10702



TECTUS - TE 645 3D

EAN	4015471130848
Finish(es)	Satin Chrome Look (F1) (124)
OF-NR.	124
VPE	Pack of 2
DIN	DIN right and left hand
Item No.	5 400634 0 12402
EAN	4015471110741
Finish(es)	Satin Nickel Look (F2) (125)
OF-NR.	125
VPE	Pack of 2
DIN	DIN right and left hand
Item No.	5 400634 0 12502
EAN	4015471119386
Finish(es)	Stainless Steel Look (SSL) (126)
OF-NR.	126
VPE	Pack of 2
DIN	DIN right and left hand
Item No.	5 400634 0 12602
EAN	4015471110758
Finish(es)	Satin Nickel (144)
OF-NR.	144
VPE	Pack of 2
DIN	DIN right and left hand
Item No.	5 400634 0 14402
EAN	4015471116385