

TE 640 3D

for unrebated high performance heavy-duty doors



Product features

- completely concealed hinge system
- for timber, steel or aluminium frames
- for unrebated high performance heavy-duty doors
- sideways closed hinge body for a homogeneous mortise appearance
- with comfortable 3D adjustment (side +/- 3,0 mm, height +/- 3,0 mm, compression +/- 1,0 mm)
- maintenance-free slide bearings

Technical details

Attributes	Value
Load capacity	200.0 kg
Overall length	240.0 mm
Width (door part)	32.0 mm
Width (frame part)	32.0 mm
Cutter diameter	24.0 mm
Collar ring diameter	30.0 mm
Opening angle	180°

Note

Quality marks



Certification CE



Certification IFT



Certification UL

Classification key

4	7	7	1 ^{*1}	1	— ^{*2}	1	14
---	---	---	-----------------	---	-----------------	---	----

*1 Test evidence for functional doors to be achieved with full door sets and assemblies.

*2 depending on the finish

TECTUS - TE 640 3D

The load capacity mentioned above refers to two hinges per door leaf (1 x 2 m). Also the load capacities of the respective combined receiver have to be taken into consideration. For detailed information please look at the chapter "technical information".

With an opening position of 180° the door may have to be fixed additionally.

Combinations

TE 640 3D FZ
 TE 640 3D BW/16
 TE 640 3D BW/20
 TE 640 3D SZ
 TE 640 3D ST

Function range



Burglar resistance



Fire resistance



Smoke resistance



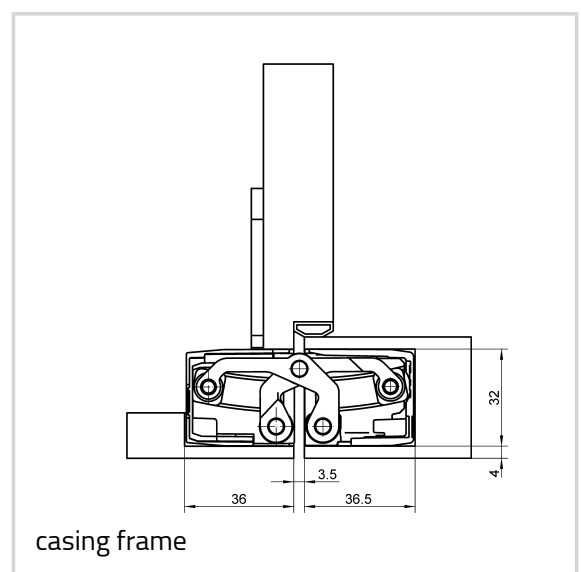
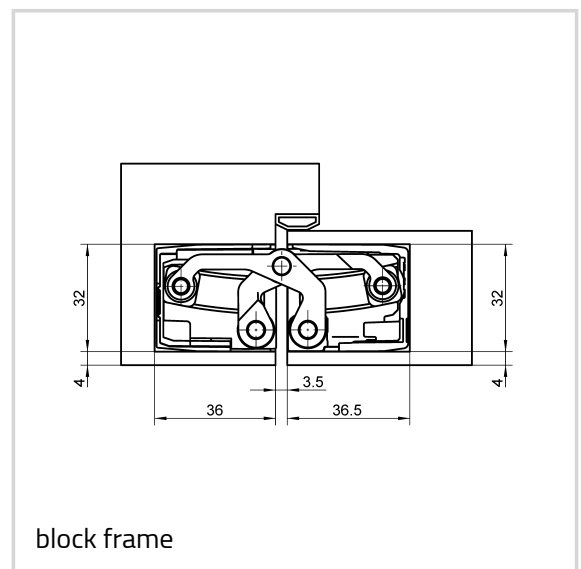
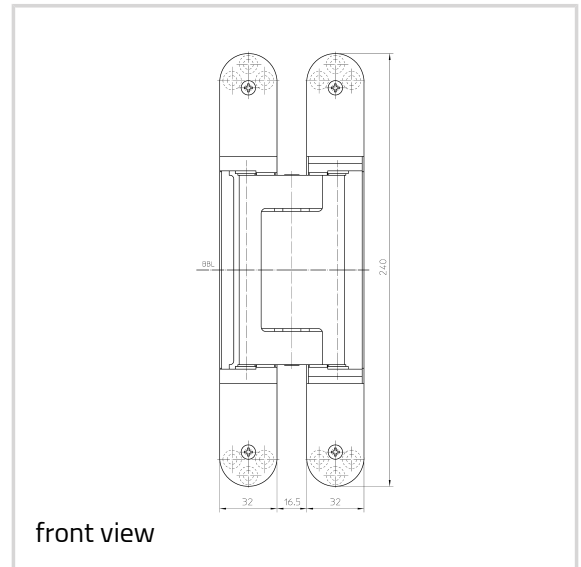
Soundproof

Item

Finish(es)	polished brass (030)
OF-NR.	030
VPE	Pack of 2
DIN	DIN right and left hand
Item No.	5 400696 0 03002
EAN	4015471127312

Finish(es)	polished nickelled (038)
OF-NR.	038
VPE	Pack of 2
DIN	DIN right and left hand
Item No.	5 400696 0 03802
EAN	4015471127336

Finish(es)	satin brass (047)
------------	-------------------



TECTUS - TE 640 3D

OF-NR.	47
VPE	Pack of 2
DIN	DIN right and left hand
Item No.	5 400696 0 04702
EAN	4015471128258

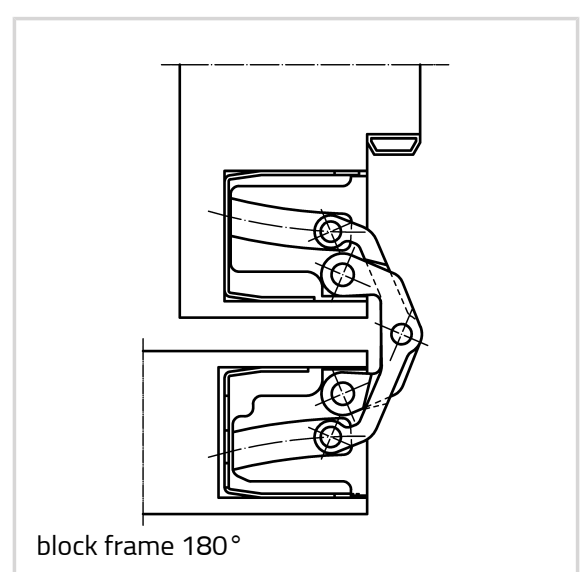
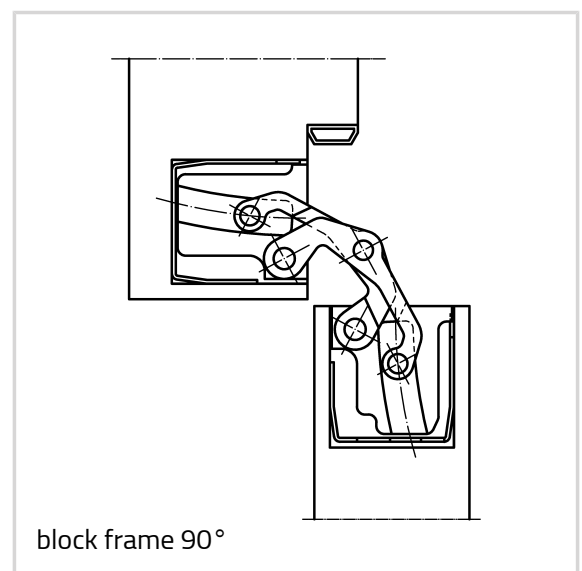
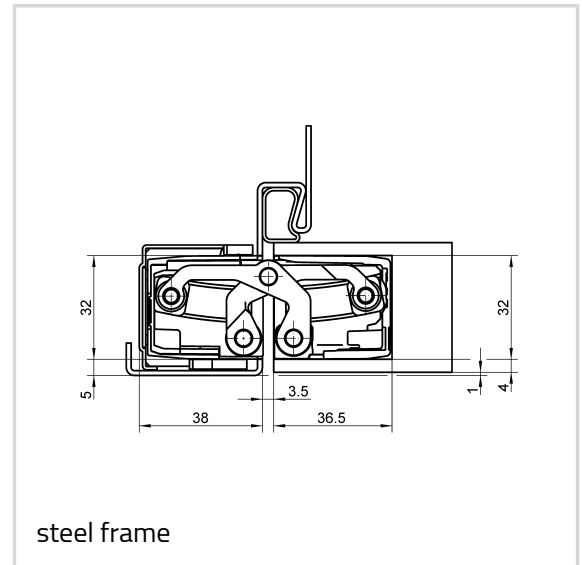
Finish(es)	RAL 9016 Traffic White (070)
OF-NR.	070
VPE	Pack of 2
DIN	DIN right and left hand
Item No.	5 400696 0 07002
EAN	4015471127411

Finish(es)	RAL 9005 Matte Black (107)
OF-NR.	107
VPE	Pack of 2
DIN	DIN right and left hand
Item No.	5 400696 0 10702
EAN	4015471128197

Finish(es)	Satin Chrome Look (F1) (124)
OF-NR.	124
VPE	Pack of 2
DIN	DIN right and left hand
Item No.	5 400696 0 12402
EAN	4015471128227

Finish(es)	Satin Nickel Look (F2) (125)
OF-NR.	125
VPE	Pack of 2
DIN	DIN right and left hand
Item No.	5 400696 0 12502
EAN	4015471128234

Finish(es)	Stainless Steel Look (SSL) (126)
OF-NR.	126
VPE	Pack of 2
DIN	DIN right and left hand
Item No.	5 400696 0 12602
EAN	4015471128456



TECTUS - TE 640 3D

Finish(es)	Satin Nickel (144)
OF-NR.	144
VPE	Pack of 2
DIN	DIN right and left hand
Item No.	5 400696 0 14402
EAN	4015471128302
Finish(es)	Satin Chrome (146)
OF-NR.	146
VPE	Pack of 2
DIN	DIN right and left hand
Item No.	5 400696 0 14602
EAN	4015471128296
Finish(es)	Rustic Umber (156)
OF-NR.	156
VPE	Pack of 2
DIN	DIN right and left hand
Item No.	5 400696 0 15602
EAN	4015471128470
Finish(es)	Bronze Metallic (168)
OF-NR.	168
VPE	Pack of 2
DIN	DIN right and left hand
Item No.	5 400696 0 16802
EAN	4015471128487
Finish(es)	Bronze Finish (174)
OF-NR.	174
VPE	Pack of 2
DIN	DIN right and left hand
Item No.	5 400696 0 17402
EAN	4015471128494
Finish(es)	Bronze Finish light (175)
OF-NR.	175
VPE	Pack of 2
DIN	DIN right and left hand
Item No.	5 400696 0 17502
EAN	4015471128500
Finish(es)	Bronze Finish dark (176)
OF-NR.	176

TECTUS - TE 640 3D

VPE	Pack of 2
DIN	DIN right and left hand
Item No.	5 400696 0 17602
EAN	4015471128517

Finish(es)	coloured (079)
OF-NR.	079
VPE	EUR-pallet
DIN	DIN right and left hand
Item No.	5 400696 0 07975
EAN	4015471128166