

TE 240 3D

for unrebated and rebated flush residential doors



Product features

- completely concealed hinge system
- for timber, steel or aluminium frames
- for unrebated and rebated flush residential doors
- sideways closed hinge body for a homogeneous mortise appearance
- 3D adjustment (side +/- 3,0 mm, height +/- 3,0 mm, compression +/- 1,5 mm)
- maintenance-free slide bearings

Technical details

Attributes	Value
Load capacity	60.0 kg
Overall length	155.0 mm
Width (door part)	18.0 mm
Width (frame part)	21.0 mm
Cutter diameter	16.0 mm
Collar ring diameter	30.0 mm
Opening angle	180°

Note

Quality marks



Certification CE



Certification IFT

Classification key

3	7	3	1 ^{*1}	1	— ^{*2}	0	10
---	---	---	-----------------	---	-----------------	---	----

^{*1} Test evidence for functional doors to be achieved with full door sets and assemblies.

^{*2} depending on the finish

TECTUS - TE 240 3D

The load capacity mentioned above refers to the use of 2 hinges per door leaf (1 x 2 m), for detailed information please look at the chapter "technical information".

With an opening position of 180° the door may have to be fixed additionally.

Suitable for

Universal milling frame

Template 5 250691 6

Template 5 250692 6

frame
door leaf

Combinations

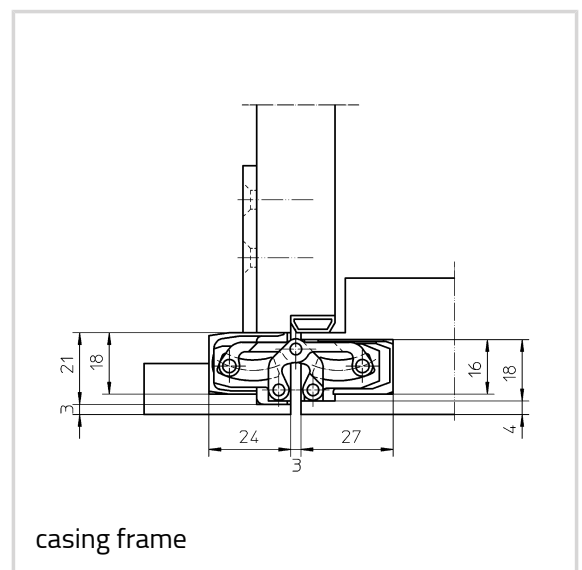
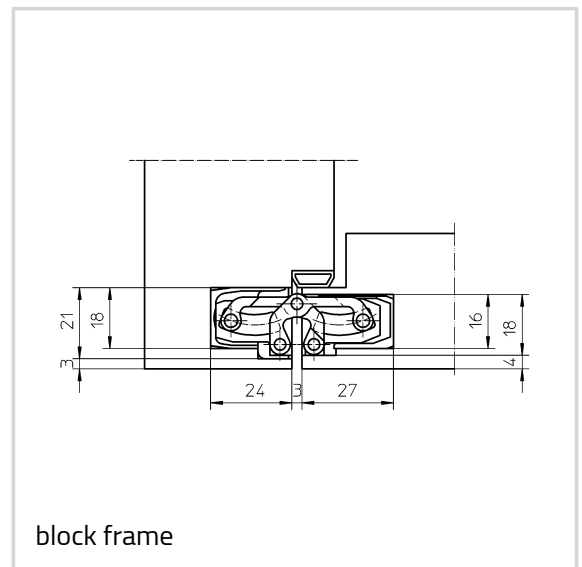
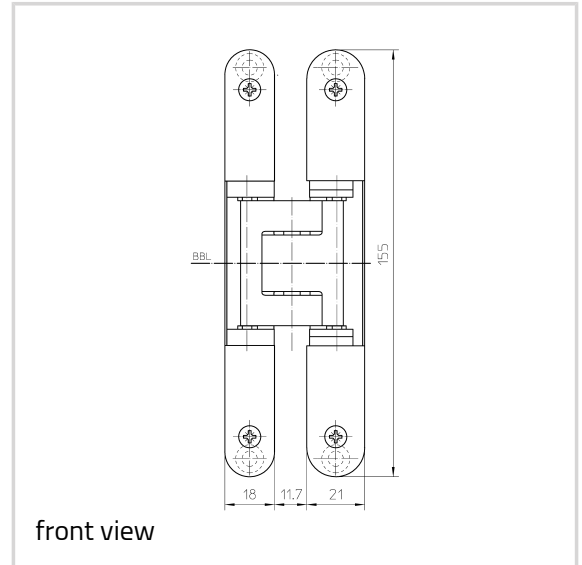
TE 240 3D FZ

TE 240 3D SZ

TE 240 3D ST

Item

Finish(es)	polished brassed (030)
OF-NR.	030
VPE	Pack of 2
DIN	DIN right and left hand
Item No.	5 400679 0 03002
EAN	4015471122980
Finish(es)	polished nickelled (038)
OF-NR.	038
VPE	Pack of 2
DIN	DIN right and left hand
Item No.	5 400679 0 03802
EAN	4015471122997
Finish(es)	satin brassed (047)
OF-NR.	47
VPE	Pack of 2
DIN	DIN right and left hand
Item No.	5 400679 0 04702
EAN	4015471127268



TECTUS - TE 240 3D

Finish(es)	RAL 9016 Traffic White (070)
OF-NR.	070
VPE	Pack of 2
DIN	DIN right and left hand
Item No.	5 400679 0 07002
EAN	4015471123734

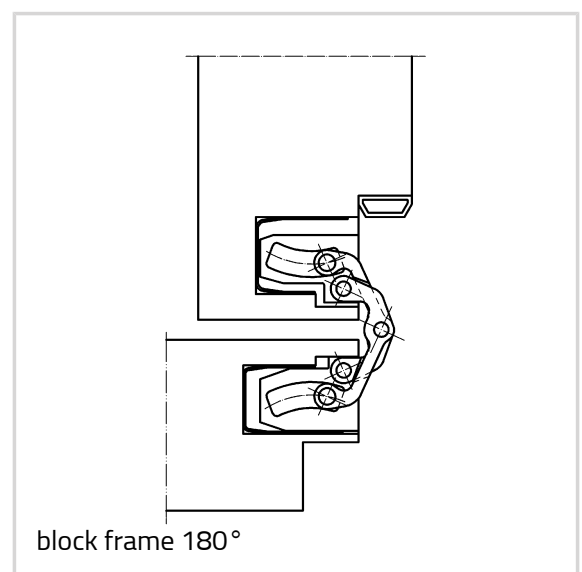
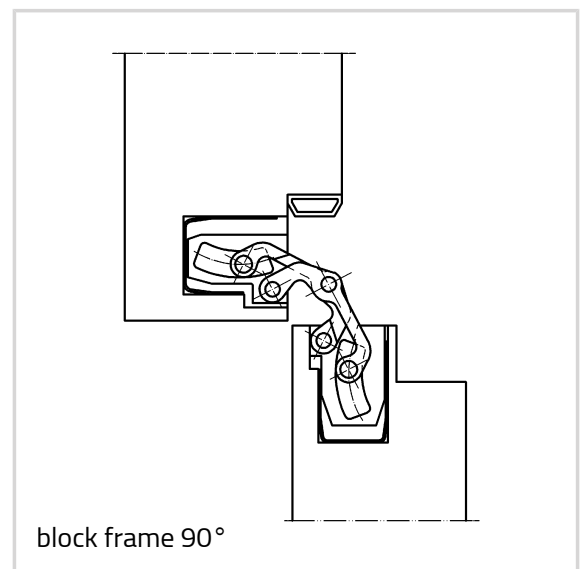
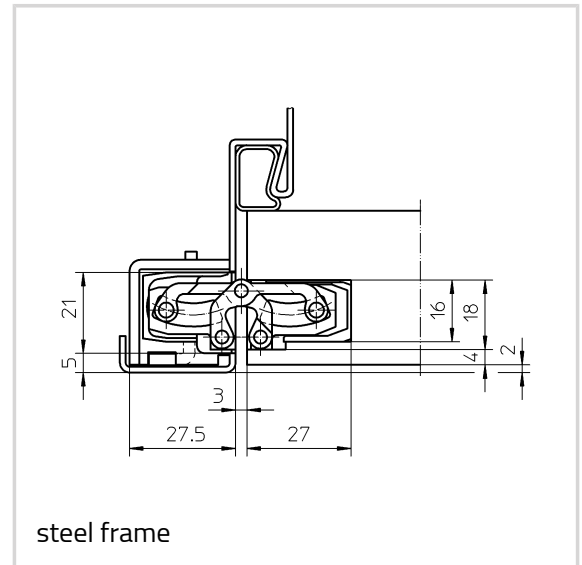
Finish(es)	RAL 9005 Matte Black (107)
OF-NR.	107
VPE	Pack of 2
DIN	DIN right and left hand
Item No.	5 400679 0 10702
EAN	4015471123741

Finish(es)	Satin Chrome Look (F1) (124)
OF-NR.	124
VPE	Pack of 2
DIN	DIN right and left hand
Item No.	5 400679 0 12402
EAN	4015471122973

Finish(es)	Satin Nickel Look (F2) (125)
OF-NR.	125
VPE	Pack of 2
DIN	DIN right and left hand
Item No.	5 400679 0 12502
EAN	4015471123017

Finish(es)	Stainless Steel Look (SSL) (126)
OF-NR.	126
VPE	Pack of 2
DIN	DIN right and left hand
Item No.	5 400679 0 12602
EAN	4015471123024

Finish(es)	Satin Nickel (144)
OF-NR.	144
VPE	Pack of 2
DIN	DIN right and left hand
Item No.	5 400679 0 14402



TECTUS - TE 240 3D

EAN	4015471123772
Finish(es)	Satin Chrome (146)
OF-NR.	146
VPE	Pack of 2
DIN	DIN right and left hand
Item No.	5 400679 0 14602
EAN	4015471123789
Finish(es)	Rustic Umber (156)
OF-NR.	156
VPE	Pack of 2
DIN	DIN right and left hand
Item No.	5 400679 0 15602
EAN	4015471123758
Finish(es)	Bronze Metallic (168)
OF-NR.	168
VPE	Pack of 2
DIN	DIN right and left hand
Item No.	5 400679 0 16802
EAN	4015471123765
Finish(es)	Bronze Finish (174)
OF-NR.	174
VPE	Pack of 2
DIN	DIN right and left hand
Item No.	5 400679 0 17402
EAN	4015471123031
Finish(es)	Bronze Finish light (175)
OF-NR.	175
VPE	Pack of 2
DIN	DIN right and left hand
Item No.	5 400679 0 17502
EAN	4015471123048
Finish(es)	Bronze Finish dark (176)
OF-NR.	176
VPE	Pack of 2
DIN	DIN right and left hand
Item No.	5 400679 0 17602
EAN	4015471123055
Finish(es)	coloured (079)

TECTUS - TE 240 3D

OF-NR.	079
VPE	EUR-pallet
DIN	DIN right and left hand
Item No.	5 400679 0 07975
EAN	4015471123000