

TRITECH - Ref. 1780

Suitable for heavy weight flush doors tested to BS EN 1935 Grade 14 - 160 kg



Product features

- solid brass high performance concealed bearing projection hinge
- weight carrying capacity to 160 kg
- suitable for heavy weight flush doors tested to BS EN 1935 Grade 14
- CE marked FD30 and FD60 fire rated options
- maintenance free, 25 year performance guarantee
- security bolt and radius corner options available

Technical details

Attributes	Value
Load capacity	160.0 kg
Knuckle diameter	13.0 mm
Overall length	100.0 mm
Overall width	88.0 mm
Material thickness	3.5 mm
Screws	10.0 x 32.0 mm

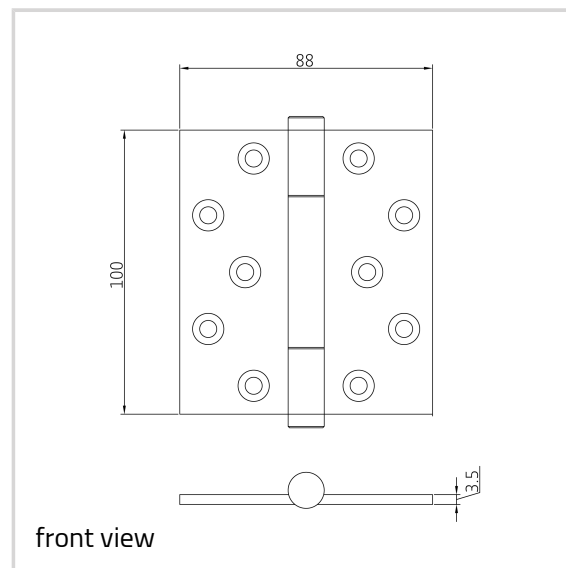
Note

Supplied complete with pozi/slotted head brass woodscrew if

Classification key

4	7	7	1 ¹	1	4	0	14
---	---	---	----------------	---	---	---	----

¹ Test evidence for functional doors to be achieved with full door sets and assemblies.



TRITECH - TRITECH - Ref. 1780

required.

Salt spray tested to over 1,000 hours.

Item

Finish(es)	Aged Brass (UK 501)
OF-NR.	UK 501
VPE	10 pcs
DIN	DIN right and left hand
Item No.	1780
Finish(es)	Antique Brass (UK 502)
OF-NR.	UK 502
VPE	10 pcs
DIN	DIN right and left hand
Item No.	1780
Finish(es)	Antique nickel (UK 503)
OF-NR.	UK 503
VPE	10 pcs
DIN	DIN right and left hand
Item No.	1780
Finish(es)	Black nickel (UK 504)
OF-NR.	UK 504
VPE	10 pcs
DIN	DIN right and left hand
Item No.	1780
Finish(es)	Copper Bronze (UK 505)
OF-NR.	UK 505
VPE	10 pcs
DIN	DIN right and left hand
Item No.	1780
Finish(es)	Copper (UK 506)
OF-NR.	UK 506
VPE	10 pcs
DIN	DIN right and left hand
Item No.	1780
Finish(es)	Honeycombe (UK 507)

TRITECH - TRITECH - Ref. 1780

OF-NR.	UK 507
VPE	10 pcs
DIN	DIN right and left hand
Item No.	1780
Finish(es)	Imitation Bronze (UK 508)
OF-NR.	UK 508
VPE	10 pcs
DIN	DIN right and left hand
Item No.	1780
Finish(es)	Midnight (UK 509)
OF-NR.	UK 509
VPE	10 pcs
DIN	DIN right and left hand
Item No.	1780
Finish(es)	Pearl Nickel (UK 510)
OF-NR.	UK 510
VPE	10 pcs
DIN	DIN right and left hand
Item No.	1780
Finish(es)	Polished Chrome (UK 511)
OF-NR.	UK 511
VPE	10 pcs
DIN	DIN right and left hand
Item No.	1780
Finish(es)	Polished & Lacquered (UK 512)
OF-NR.	UK 512
VPE	10 pcs
DIN	DIN right and left hand
Item No.	1780
Finish(es)	Polished Nickel (UK 513)
OF-NR.	UK 513
VPE	10 pcs
DIN	DIN right and left hand
Item No.	1780
Finish(es)	Satin Brass & Lacquered (UK 514)
OF-NR.	UK 514

TRITECH - TRITECH - Ref. 1780

VPE	10 pcs
DIN	DIN right and left hand
Item No.	1780
Finish(es)	Satin Chrome (UK 515)
OF-NR.	UK 515
VPE	10 pcs
DIN	DIN right and left hand
Item No.	1780
Finish(es)	Satin nickel (UK 516)
OF-NR.	UK 516
VPE	10 pcs
DIN	DIN right and left hand
Item No.	1780
Finish(es)	PVD Brass (UK 517)
OF-NR.	UK 517
VPE	10 pcs
DIN	DIN right and left hand
Item No.	1780
Finish(es)	PVD Copper rose (UK 518)
OF-NR.	UK 518
VPE	10 pcs
DIN	DIN right and left hand
Item No.	1780
Finish(es)	PVD Matt black (UK 519)
OF-NR.	UK 519
VPE	10 pcs
DIN	DIN right and left hand
Item No.	1780
Finish(es)	PVD Rainbow (UK 520)
OF-NR.	UK 520
VPE	10 pcs
DIN	DIN right and left hand
Item No.	1780
Finish(es)	PVD Stainless steel effect (UK 521)
OF-NR.	UK 521
VPE	10 pcs
DIN	DIN right and left hand

TRITECH - TRITECH - Ref. 1780

Item No.	1780
----------	------